

# TEAM LOSI XXT CR GRAPHITE PLUS



## PRICE LIST REFERENCE GUIDE

Effective: 2/16/98

©1998 TEAM LOSI, INC.

NOT RESPONSIBLE FOR TYPOGRAPHICAL ERRORS

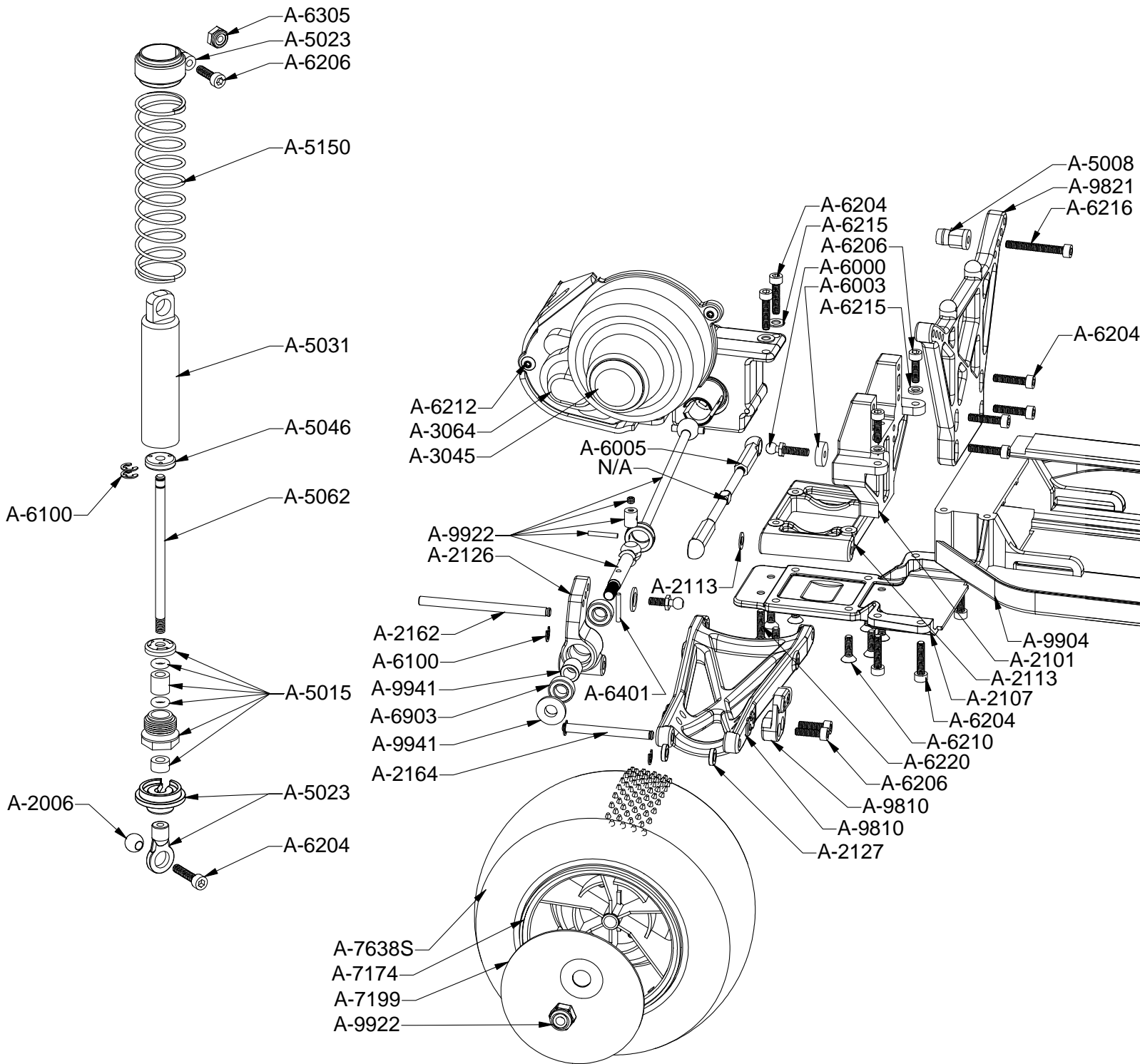
ALL PRICES SUBJECT TO CHANGE WITHOUT NOTICE

### TEAM LOSI PERFORMANCE

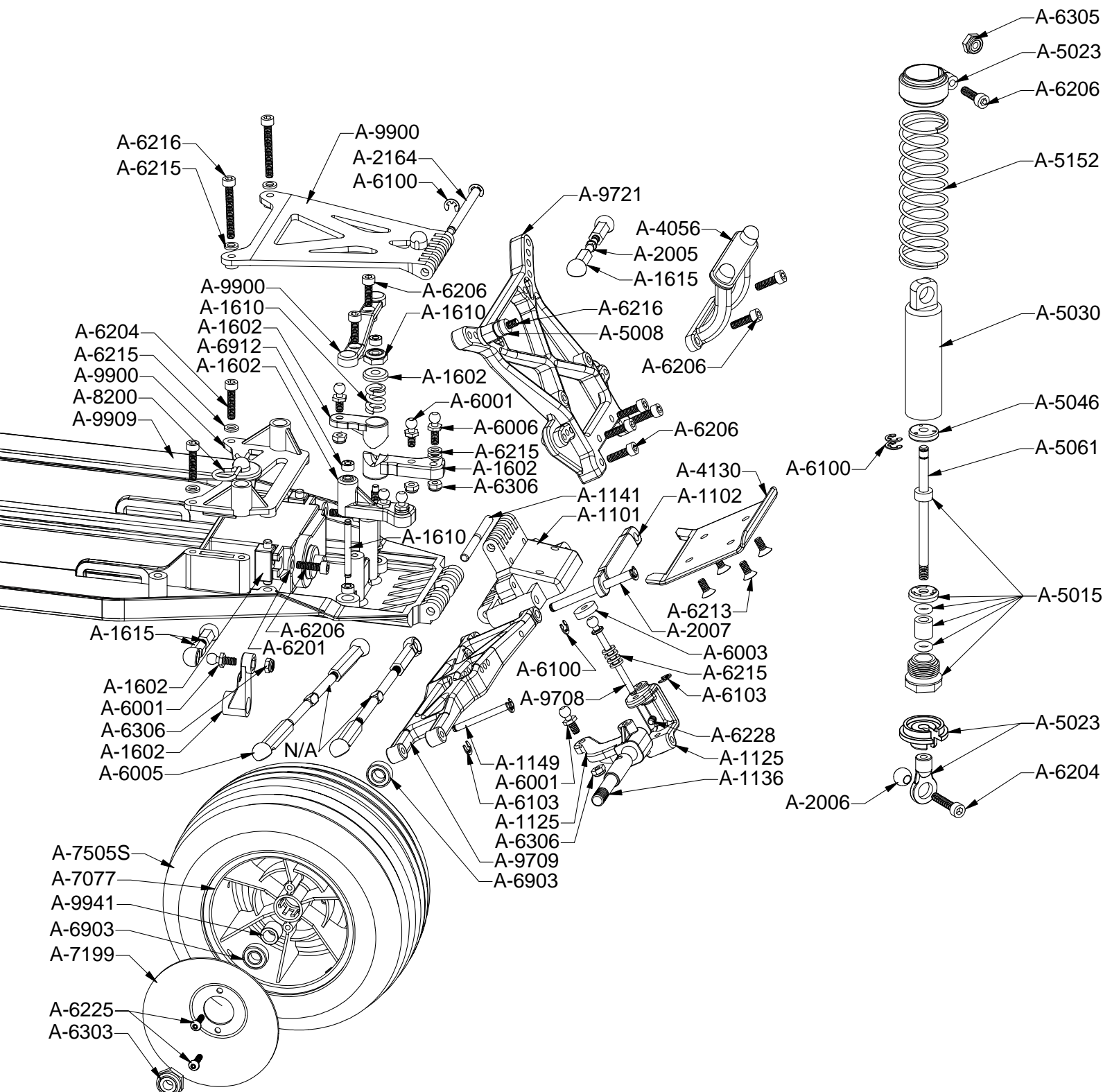
A-0072	Double-XT 'CR' Graphite Plus Kit w/Bearings	\$419.95
A-1101	Front Bulkhead	\$5.00
A-1102	Front Bulkhead Brace For Inner Hinge Pin	\$2.00
A-1125	XX-T Front Spindles & Carriers	\$6.00
A-1136	XX-T Front Axles w/Set Screws	\$6.00
A-1141	Pin Set for Front Bulkhead (upper & lower)	\$3.00
A-1149	XX-T Front Outer Pins & Kingpins	\$3.00
A-1602	Adjustable Steering & Servo Mount set	\$6.00
A-1610	Steering Hardware Set	\$3.50
A-1615	Short Ball Cups & Threaded Rods	\$2.75
A-2005	Adjustable L/R Threaded Rods w/Ends 1-1/8"	\$4.50
A-2006	Swivel Suspension Balls .250"	\$4.00
A-2007	Hinge Pin 1/8" x 1.42" (XX-T)	\$3.00
A-2101	Rear Bulkhead	\$5.00
A-2107	'CR' Rear Pivot Plate	\$4.00
A-2113	'CR' Rear Pivot Block - 2°	\$3.50
A-2126	'CR' Rear Hub Carrier Set w/Spacers	\$6.00
A-2162	'CR' Inner Rear Hinge Pins	\$3.00
A-2164	Outer Rear Hinge Pins	\$3.00
A-3045	Slipper Gear Cover Plug	\$1.50
A-3059	Transmission Case Set 2.61:1	\$6.00
A-3061	Transmission Screw Set	\$2.00
A-3063	Motor Plate	\$8.00
A-3064	'XX' Gear Cover & Plug	\$2.50
A-3065	Silicone Differential Compound	\$2.50
A-3066	Teflon™ Assembly Grease	\$2.50
A-3070	'XX' Trans Drive Rings	\$2.00
A-3072	Differential Tube	\$2.25
A-3073	Outdrive Cup/Diff Half	\$7.00
A-3076	2.61:1 Diff Gear	\$2.00
A-3077	'XX' Trans Upper Gear, Idler, Shaft (2.61:1)	\$6.00
A-3078	Differential Screw, Hardware, and Seal	\$3.50
A-3080	Idler Gear 2.61:1	\$3.50
A-3098	Differential Thrust Bearing w/Carbide Balls (Molded)	\$5.00
A-3112	Hydra-Drive Conversion for Dual-Disk Slipper	\$39.95
A-3123	Slipper Pad	\$3.00
A-3124	Slipper Spring, Cup, Spacer, Bushing, and Washer	\$3.00
A-3132	Slipper Backing Plate (XX, XX-T)	\$6.00
A-3928	88-Tooth, 48-Pitch Spur Gear (XX-4)	\$3.50
A-4002	Antenna Kit	\$2.25
A-4003	Antenna Caps	\$1.25
A-4004	Servo Tape	\$1.75

### CHOICE OF CHAMPIONS

A-4015	Foam Battery Block Set XX/XX-T	\$2.50
A-4056	XX-T Front Body Mount	\$2.50
A-4115	Battery Hold-Down Strap X-Long	\$3.00
A-4130	Front Bumper	\$3.00
A-5008	Upper Shock Mount Bushings	\$2.00
A-5015	Double O-Ring Shock Cartridge	\$2.00
A-5023	Spring Clamps & Cups	\$2.50
A-5030	.9" Shock Body, Hard Anodized	\$8.00
A-5031	1.2" Shock Body, Hard Anodized	\$8.00
A-5046	Teflon™ Shock Pistons #56, Red	\$3.00
A-5061	.9" Titanium Nitrided Shock Shaft	\$7.00
A-5062	1.2" Titanium Nitrided Shock Shaft	\$7.00
A-5146	2.75" Spring 1.6 Rate (Gray)	\$2.50
A-5147	2.75" Spring 1.8 Rate (White)	\$2.50
A-5148	2.75" Spring 2.0 Rate (Yellow)	\$2.50
A-5150	2.5" Spring 2.3 Rate (Pink)	\$2.50
A-5152	2.5" Spring 2.6 Rate (Red)	\$2.50
A-5154	2.5" Spring 2.9 Rate (Orange)	\$2.50
A-5156	2.5" Spring 3.4 Rate (Silver)	\$2.50
A-5158	2.5" Spring 3.7 Rate (Green)	\$2.50
A-5160	2.5" Spring 4.1 Rate (Blue)	\$2.50
A-5222	Silatech Competition Shock Fluid 200/20wt	\$3.50
A-5223	Silatech Competition Shock Fluid 275/25wt	\$3.50
A-5224	Silatech Competition Shock Fluid 350/30wt	\$3.50
A-5225	Silatech Competition Shock Fluid 425/35wt	\$3.50
A-5226	Silatech Competition Shock Fluid 500/40wt	\$3.50
A-6000	Ball Studs w/Rod Ends 4-40 x 3/8"	\$3.50
A-6001	Ball Studs w/Rod Ends 4-40 x 3/16"	\$3.50
A-6003	Foam Things (Linkage Rings)	\$1.50
A-6005	H.D. 30° Plastic Rod Ends	\$5.00
A-6006	Ball Studs w/Rod Ends 4-40 x 1/4"	\$3.50
A-6100	E-Clips 1/8"	\$1.25
A-6103	E-Clips 3/32"	\$1.25
A-6201	3mm x 8mm Cap-Head w/Washers	\$3.00
A-6204	4-40 x 1/2" Cap-Head Screws	\$1.50
A-6206	4-40 x 3/8" Cap-Head screws	\$1.50
A-6210	4-40 x 3/8" Flat-Head Screws	\$1.50
A-6212	4-40 x 1/8" Button-Head Screws	\$1.25
A-6213	4-40 x 1/4" Flat-Head Screw	\$1.25
A-6215	#4 Narrow Washers	\$1.25
A-6216	4-40 x 7/8" Cap-Head Screws	\$1.50
A-6220	4-40 x 1/2" Flat-Head Screws	\$1.50

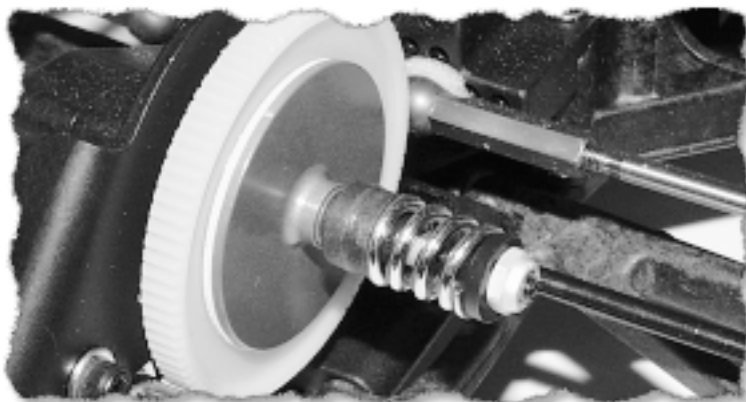
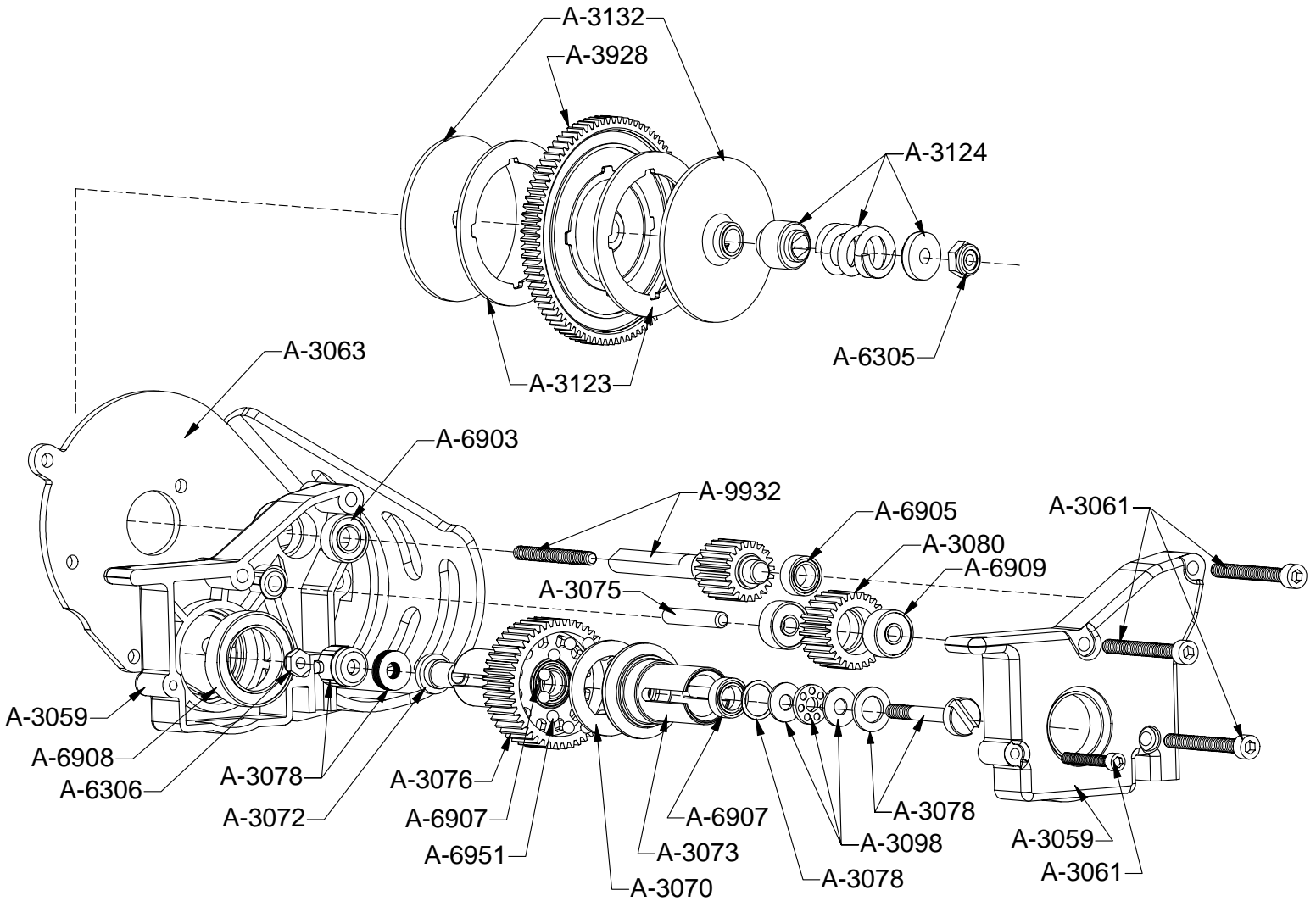


A-6223	4-40 x 1" Cap-Head Screws	\$2.00
A-6225	2-56 x 5/16" Button-Head Screws	\$2.00
A-6227	4-40 x 1/8" Hardened Setscrews	\$1.80
A-6228	5-40 Hardened Setscrews	\$1.80
A-6230	Shim Assortment - 3/16", 1/4", 1/2"	\$2.50
A-6303	10-32 Locknuts (4ea Nylon & Steel)	\$1.50
A-6305	4-40 Aluminum Locknuts, Low Profile	\$3.50
A-6306	4-40 Aluminum Mini Nuts	\$3.50
A-6350	#4 and 1/8" Hardened Washers	\$2.50
A-6401	Pins — Wheels and Gears	\$1.25
A-6903	3/16" x 3/8" Ball Bearing	\$5.50
A-6905	3/16" x 5/16" Ball Bearing (Slipper)	\$7.50
A-6907	5mm x 8mm Bearings	\$6.50
A-6908	1/2" x 3/4" Ball Bearings w/Teflon Seal	\$13.50



A-6909	1/8" x 3/8" Ball Bearings ('XX' Trans)	\$6.00
A-6912	3/32" x 3/16" Bearings	\$19.95
A-6951	3/32" Carbide Diff Balls	\$10.95
A-7077	Front Disk Wheels w/Caps (Yellow) (XX-T)	\$7.00
A-7174	Rear Disk Wheels w/Caps (Yellow) (LX-T, XX-T)	\$7.00
A-7199	Disk Wheel Cap Set (XX-T)	\$4.00
A-7505S	Front Truck Tire DIRECTIONAL (Silver)	\$17.95
A-7638S	Rear Truck Tire IFMAR PIN (Silver)	\$17.95
A-7698	Truck Foam Tire Liners — Firm	\$3.50
A-7699	Truck Foam Tire Liners	\$2.00
A-8017	XX-T 'CR' Body w/Window Masks	\$19.00
A-8200	Body Clips	\$1.25
A-8342	XX-T 'CR' Graphite Plus Sticker Sheet	\$3.00
A-9708	Kingpin/Ball Stud	\$8.50





A-9709	Graphite/Composite Front Suspension Arms	\$12.50
A-9721	Graphite/Composite Front Shock Tower	\$9.95
A-9806	1° 'CR' Rear Hub Set	\$7.50
A-9810	Graphite/Composite Rear Suspension Arms	\$13.95
A-9821	Graphite/Composite Rear Shock Tower	\$9.95
A-9900	Graphite/Composite Chassis Brace Set	\$11.00
A-9904	Graphite/Composite Extra-Long Chassis w/Braces	\$49.95
A-9922	MIP CVD Driveshafts (XX-T)	\$34.50
A-9932	Aluminum Gear/Slipper Shaft 2.61:1	\$11.95
A-9941	Bearing Spacer/Wheel Washer Set	\$9.95
N/A	Lunsford Racing Titanium Turnbuckle 2.375"	N/A
N/A	Lunsford Racing Titanium Turnbuckle 2.75"	N/A
N/A	Lunsford Racing Titanium Turnbuckle 2.625"	N/A