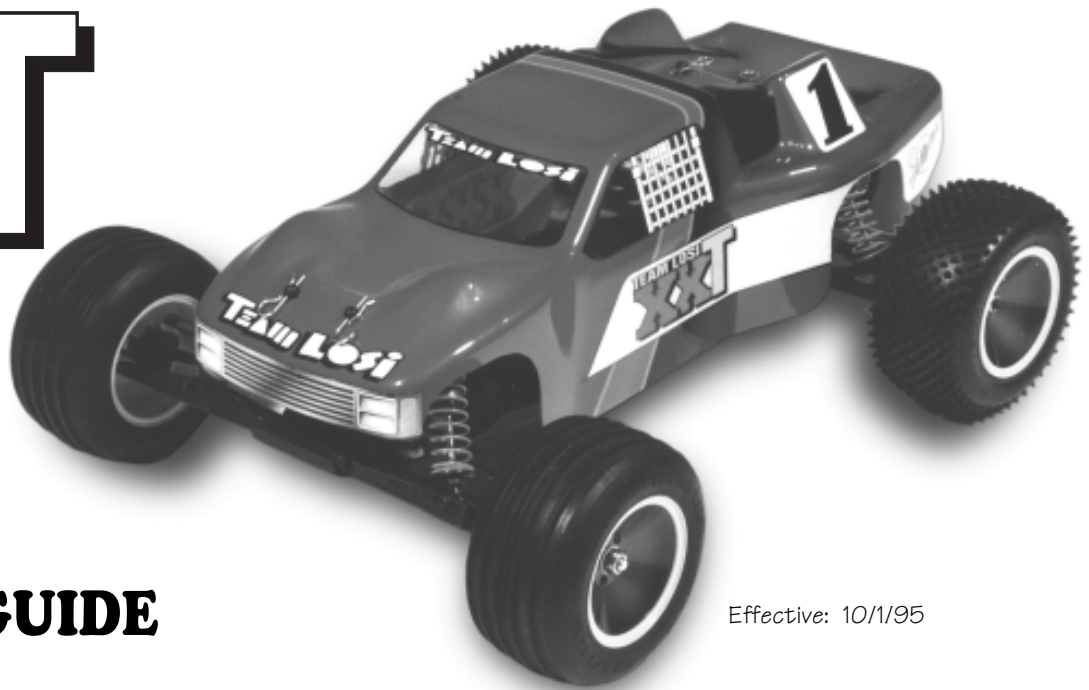


TEAM LOSI XXT

Bushing kits



Effective: 10/1/95

PRICE LIST REFERENCE GUIDE

© 1995 TEAM LOSI, INC.

NOT RESPONSIBLE FOR TYPOGRAPHICAL ERRORS.

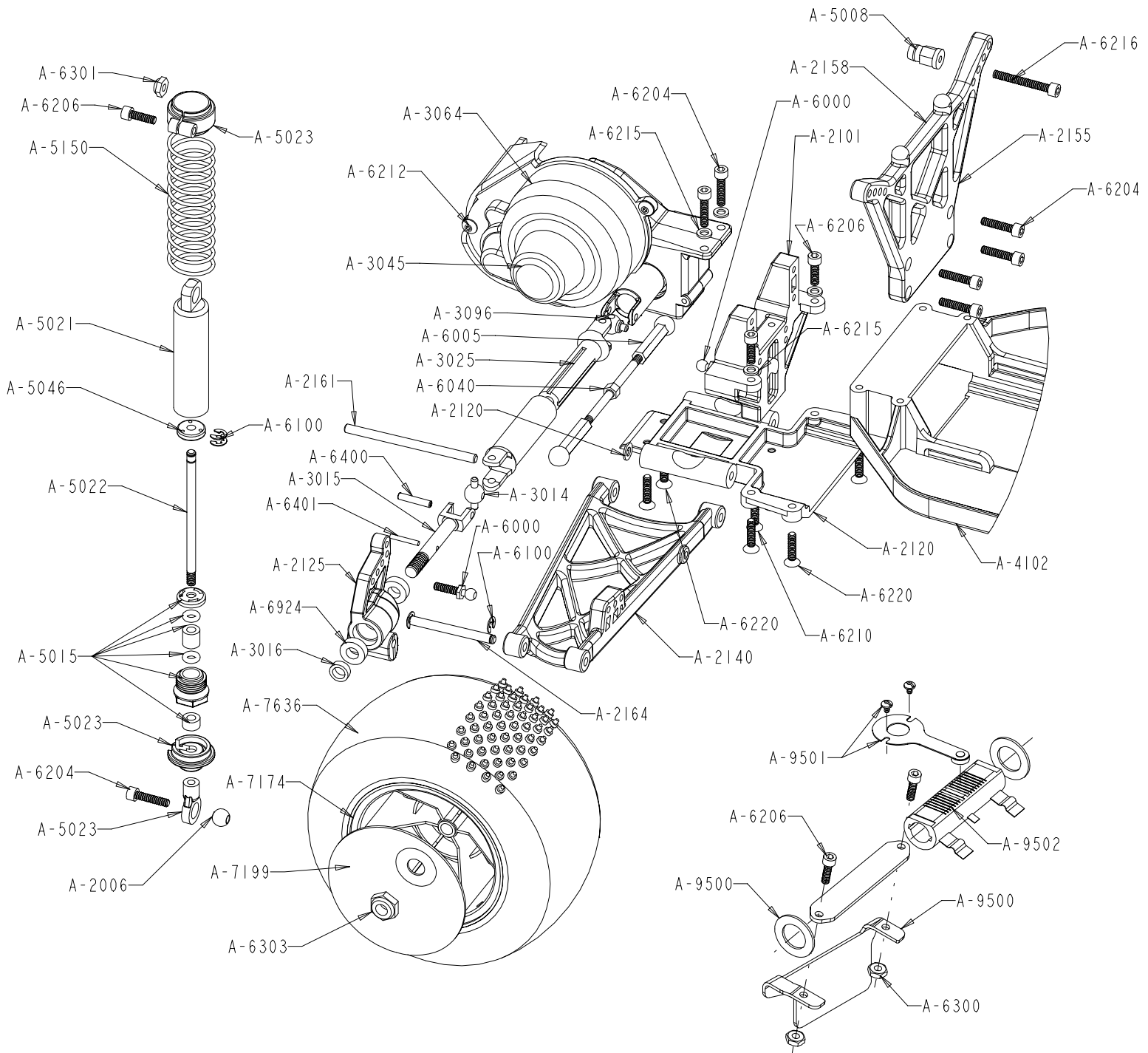
ALL PRICES SUBJECT TO CHANGE WITHOUT NOTICE

TEAM LOSI PERFORMANCE

A-0080	Double-XT Kit w/Bushings, Motor, & Speed Control	1	\$239.95
A-0081	Double-XT Kit w/Bushings, Without Electrics	1	\$219.95
A-1101	Front Bulkhead (XX,XXT)	1	5.00
A-1102	Front Bulkhead Brace For Inner Pin (XXT)	1	2.00
A-1108	Front Shock Tower (XXT)	1	6.00
A-1115	Front Suspension Arms (XXT)	2	7.50
A-1125	Front Spindles & Carriers (XXT)	4	6.00
A-1136	Front Axles (XXT)	2	6.00
A-1141	Pin Set for Front Bulkhead (Upper & Lower)	2	3.00
A-1149	Front Outer & King Pins 3/32" (XXT)	2	3.00
A-1601	Steering/Servo Mount Assy. (Molded) (XX,XXT)	1	6.00
A-1610	Steering Hardware Set (XX,XXT)	4	3.50
A-1615	Short Ball Cups & Threaded Rod (XX,XXT)	1	2.75
A-2005	Adjustable L/R Threaded Rods w/Ends (1.125")	2	4.50
A-2006	Swivel Suspension Balls .250"	8	4.00
A-2007	Hinge Pin 1.42" (XXT)	2	3.00
A-2012	Assembly Wrench	1	1.50
A-2101	Rear Bulkhead	1	5.00
A-2120	Rear Pivot Support #4	1	4.00
A-2125	Rear Hub Set	2	5.00
A-2140	Rear Suspension Arms (XXT)	2	7.50
A-2158	Rear Shock Tower (XXT)	1	6.00
A-2161	Inner Rear Hinge Pins	2	3.00
A-2164	Outer Rear Hinge Pins	2	3.00
A-3009	Diff Balls 3/32	12	1.25
A-3014	Universal Pivots	2	4.50
A-3015	Rear Axle, Spacer & Pin	1	6.00
A-3016	Rear Axle Spacers	2	1.25
A-3025	Extra-Long Universal Drive Shaft Set (LXT/XXT)	2	7.00
A-3045	Slipper Gear Cover Plug	4	1.50
A-3059	Trans Case Set 2.61:1 (XXT)	2	6.00
A-3060	Slipper Shaft, Spacer & Hardware	1	5.50
A-3061	Transmission Screw Set	4	2.00
A-3063	Motor Plate	1	8.00
A-3064	Gear Cover & Plug	1	2.50
A-3065	Silicone Diff Compound	1	2.50
A-3070	Differential Drive Rings	2	2.00
A-3071	Differential Thrust Bearing Assy	1	6.75
A-3072	Diff Tube	1	2.25

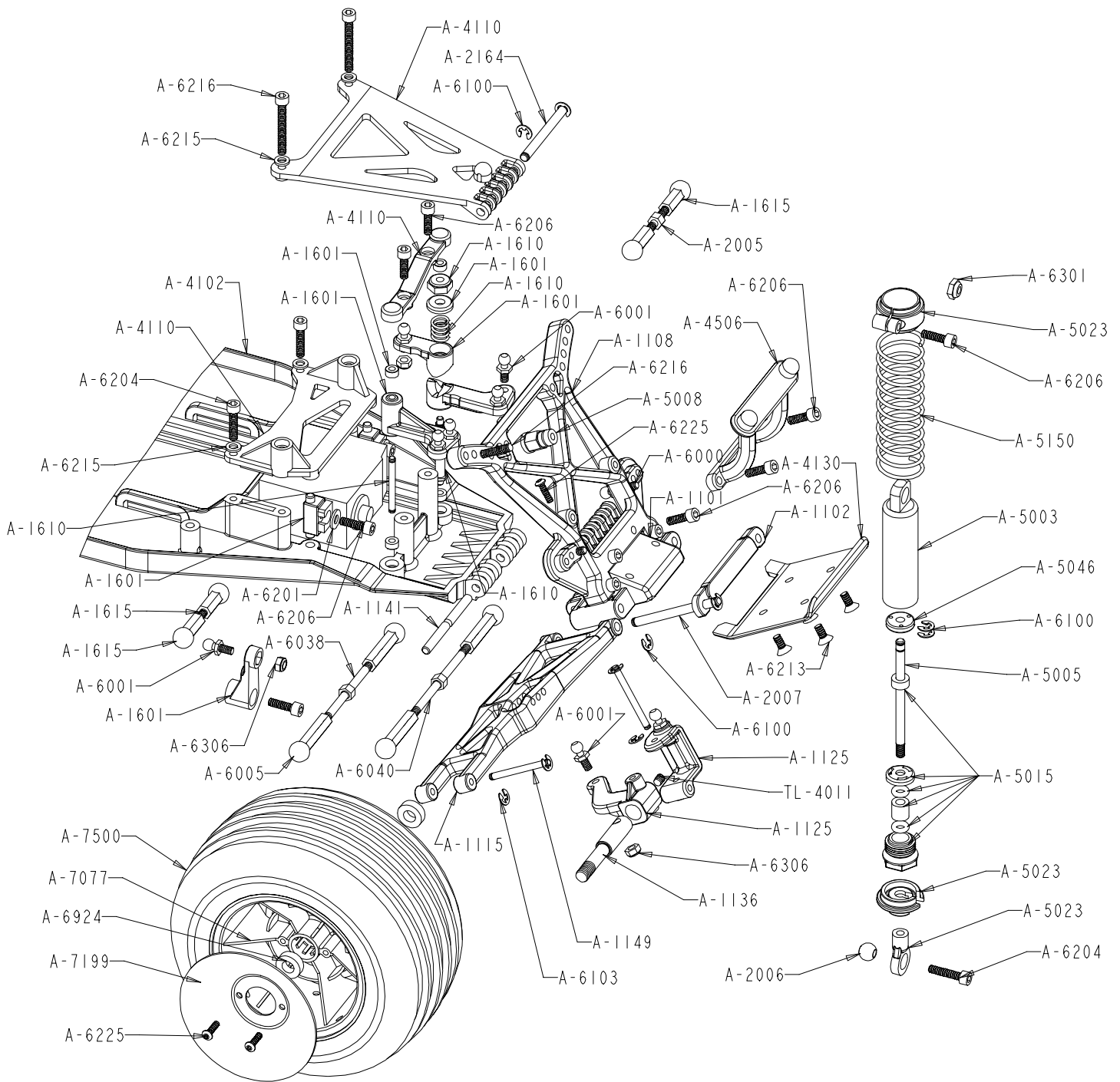
CHOICE OF CHAMPIONS

A-3076	Diff Gear Only 2.61:1	1	2.00
A-3077	Upper Gear, Etc 2.61:1	1	6.00
A-3078	Diff Screw, Hardware & Seal	7	3.50
A-3080	Idler Gear 2.61:1	2	3.50
A-3095	Molded Outdrive Set (XX/XXT)	2	4.00
A-3096	Universal Pivots for Molded Outdrive	2	4.50
A-3122	Slipper Gear Plate	1	6.00
A-3123	Slipper Pad	1	3.00
A-3124	Slipper Spring, Cup, Spacer & Washer	1	3.00
A-3125	9/16" x 1/4" Thrust Bearing Assy	1	2.50
A-3132	Slipper Back Plate (XX,XXT)	1	6.00
A-3908	88T Hydra-Drive / Slipper Gear	1	3.50
A-4002	Antenna Kit	1	2.25
A-4003	Antenna Caps	8	1.25
A-4004	Servo Tape	6	1.75
A-4010	Battery Strap Set	2	2.75
A-4015	Foam Battery Block Set (XX,XXT)	2	2.50
A-4056	Front Body Mount (XXT)	1	2.50
A-4102	Main Chassis (Long) w/Braces (XXT)	1	25.95
A-4110	Chassis Brace Set (XX,XXT)	1	6.00
A-4130	Front Bumper (XX,XXT)	1	3.00
A-5003	.9" Shock Body Anodized	1	6.00
A-5005	Shock Shaft .9"	1	3.00
A-5008	Upper Shock Mount Bushing	4	2.00
A-5015	Double O-Ring Shock Cartridge	1	2.00
A-5021	1.2" Shock Body Anodized	1	6.00
A-5022	Shock Shaft 1.2"	1	3.00
A-5023	Spring Clamps & Cups	2	2.50
A-5046	Teflon Shock Pistons #56 (Red)	4	3.00
A-5150	2.5" Spring 2.3 Rate (Pink)	2	2.50
A-5224	SILATECH Competition Shock Fluid 350 / 30 wt	1	3.50
A-6000	Studded Balls w/Rod Ends 4-40 X 3/8"	4	3.50
A-6001	Studded Balls w/Rod Ends 4-40 X 3/16"	4	3.50
A-6003	Foam Things (Linkage Rings)	8	1.50
A-6005	H.D. 30° Plastic Rod Ends	16	5.00
A-6038	Adjustable Threaded L/R Rod Set w/Ends 2.25"	2	4.50
A-6040	Adjustable Threaded L/R Rod Set w/Ends 2.5"	2	4.50
A-6100	E-Clips 1/8"	12	1.25
A-6102	C-Clips 3/16"	12	1.75



The easy access modular rear end features wide-based, extra-long and rigid suspension arms, beefy hub carriers, and multi-adjustable bulkhead. Extra-stiff components provide critical suspension alignment with all toe-in in the hub carriers to maintain proper suspension geometry. It's never been easier to access components for quick and convenient adjustments.

A-6103	E-Clips 3/32"	12	1.25	A-6220	4-40 x 1/2" Flat Head Socket	6	1.50
A-6201	3mm x 8mm Socket Head w/Washers (Motor)	10	3.00	A-6223	4-40 x 1" Socket Head	6	2.00
A-6204	4-40 x 1/2" Socket Head	10	1.50	A-6225	2-56 x 5/16" Button Head (Slipper, Wheel Disks)	10	2.00
A-6206	4-40 x 3/8" Socket Head	10	1.50	A-6230	Shim Assortment - 3/16", 1/4", 1/2"	20	2.50
A-6210	4-40 x 3/8" Flat Head Socket	10	1.50	A-6301	4-40 Nylon Locking Nuts	10	1.75
A-6212	4-40 x 1/8" Button Head	4	1.25	A-6303	10-32 Nylon Locking Nuts (4 ea. Nylon & Steel)	8	1.50
A-6213	4-40 x 1/4" Flat Head Socket	6	1.25	A-6305	4-40 Locking Nuts Low Profile	10	3.50
A-6215	#4 Narrow Washers	10	1.25	A-6306	4-40 Aluminum Mini Nuts	10	3.50
A-6216	4-40 x 7/8" Socket Head	10	1.50	A-6400	Pins, U-Joint	8	1.25



Exclusive Swing-Away front end construction features extreme rigidity and exceptionally easy access to the fully proportional bellcrank steering with helical design servo saver. Computer optimized ackerman and bump-steer provide positive steering for consistent performance.

A-6401	Pins for Wheels & Gear	4	1.25	A-8016	XXT Truck Body	1	19.00
A-6903	3/16" x 3/8" Bearings	2	5.50	A-8200	Body Clips	12	1.25
A-6923	Bushings for XX Diff	4	1.75	A-8315	XXT Sticker Sheet	1	3.00
A-6924	Complete Bushing Set XX/XXT	1	7.50	A-9500	Complete Mechanical Speed Control	1	19.95
A-7077	Front Disc Wheels w/Caps (Yellow) (XXT)	2	7.00	A-9501	Wiper Arm w/Button for Mechanical Speed Control	1	2.00
A-7174	Rear Disc Wheels w/Caps (Yellow) (LXT,XXT)	2	7.00	A-9502	Resistor for Mechanical Speed Control	1	9.95
A-7199	Disc Wheel Cap Set (XXT)	4	4.00	TL-4011	5-40 Hardened Set Screws	10	1.80
A-7500	Front RIBBED (HT).....	2	16.95				
A-7636	Rear STEP-PIN (HT)	2	16.95				

TEAM LOSI

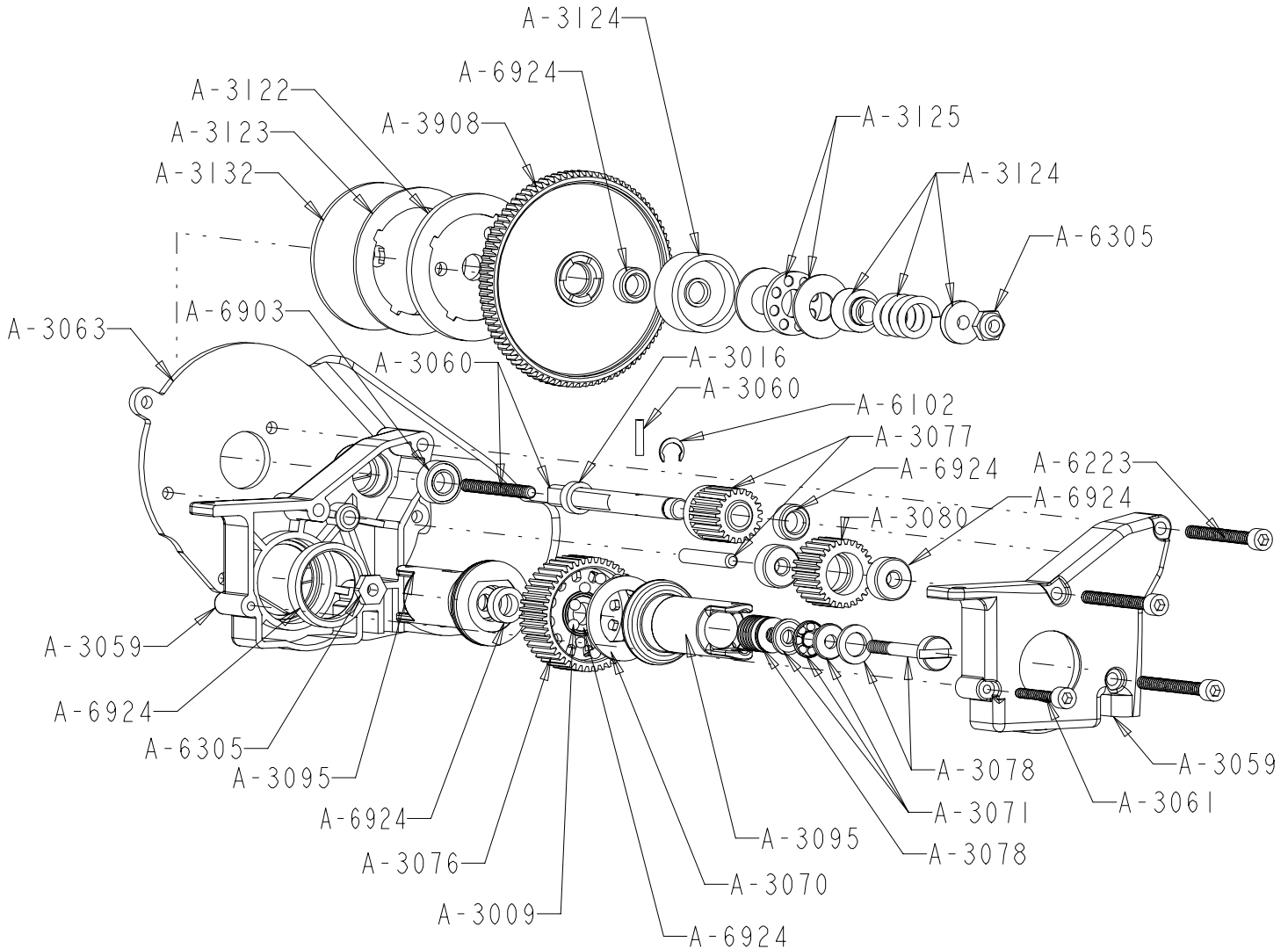
Racing

13848 Magnolia Ave., Chino, CA 91710
 Phone (909) 465-9400 Fax (909) 590-1496

TEAM LOSI

XXT

Bushing kits



Upgrade Parts For Double-XT Truck (with Bushings)

The Double-XT "Laydown" transmission includes precision balls, precision-grooved thrust assembly, hardened and polished diff rings and high quality bushings with special, low friction lubrication. The low CG design and precise gear profiles provide quicker acceleration and handling. The friction slipper included is designed to accept the patented Hydra-Drive® for the ultimate in power handling and traction control.

A-3026	Extra-Long White Super-Slider Male Only (LXT/XXT)	2	
5.00			
A-3073	Outdrive Cup	1	7.00
A-3090	Dog Bone / DriveShaft w/Yoke (XXT)	1	8.50
A-3101	Hydra-Drive Unit Only	1	29.95
A-5030	.9" Shock Body Hard Anodized	1	8.00
A-5031	1.2" Shock Body Hard Anodized	1	8.00
A-6905	3/16" x 5/16" Bearings (Slipper)	2	7.50
A-6907	5mm x 8mm Bearings (XX Trans, Retrofit)	2	6.50
A-6908	1/2" x 3/4" Bearings w/Teflon Seal (XX Trans)	2	13.50
A-6909	1/8" x 3/8" Bearings (XX Trans)	2	6.00
A-6926	Complete Bearing Set XXT (Bushing Kit)	1	51.95
A-6927	Bearing Set for XX Trans	1	28.00
TL-4016	3/32" Carbide Diff Balls	12	10.95