

# PRICE LIST REFERENCE GUIDE

©1996 TEAM LOSI, INC.

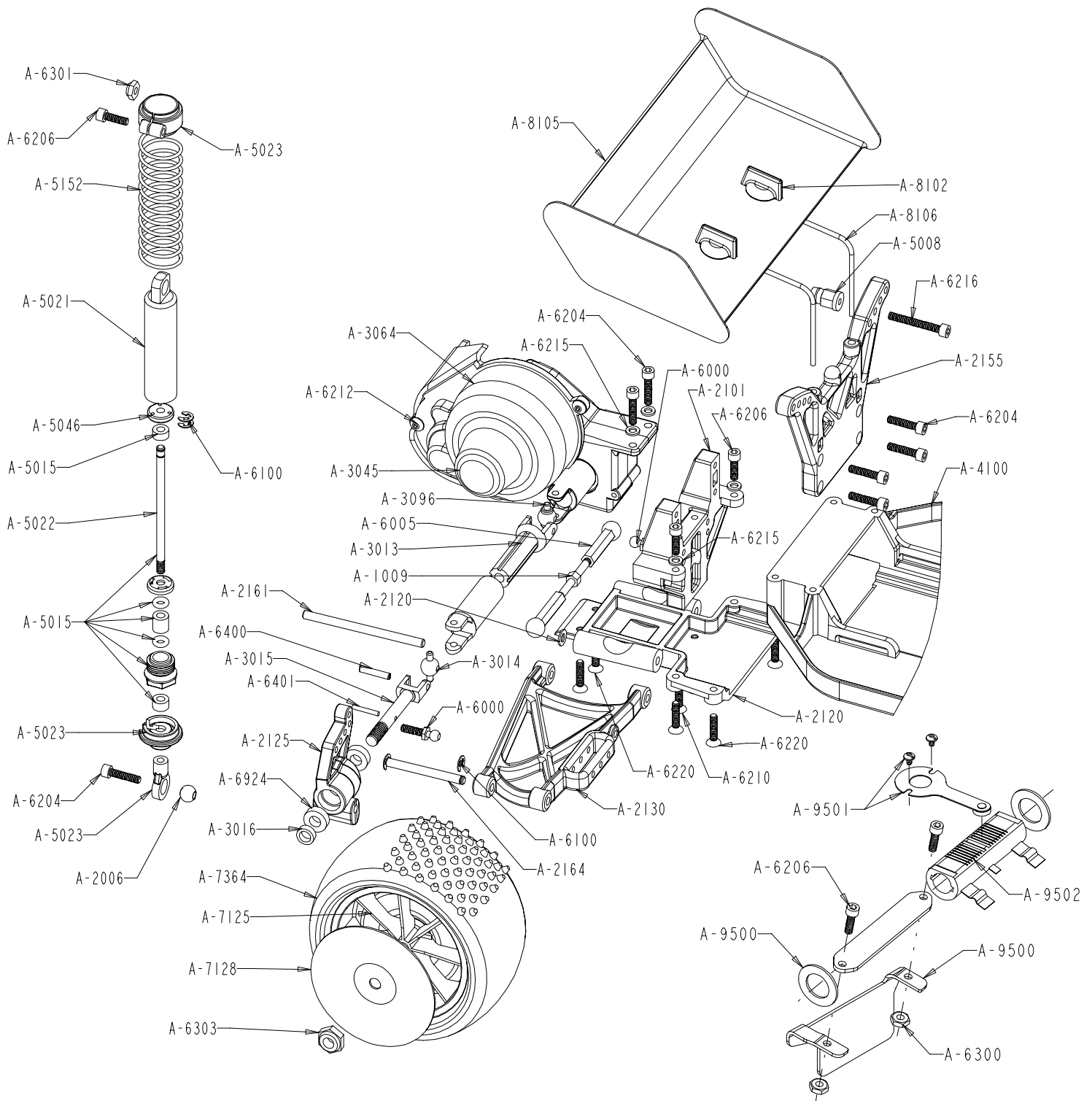
NOT RESPONSIBLE FOR TYPOGRAPHICAL ERRORS

ALL PRICES SUBJECT TO CHANGE WITHOUT NOTICE

## TEAM LOSI PERFORMANCE

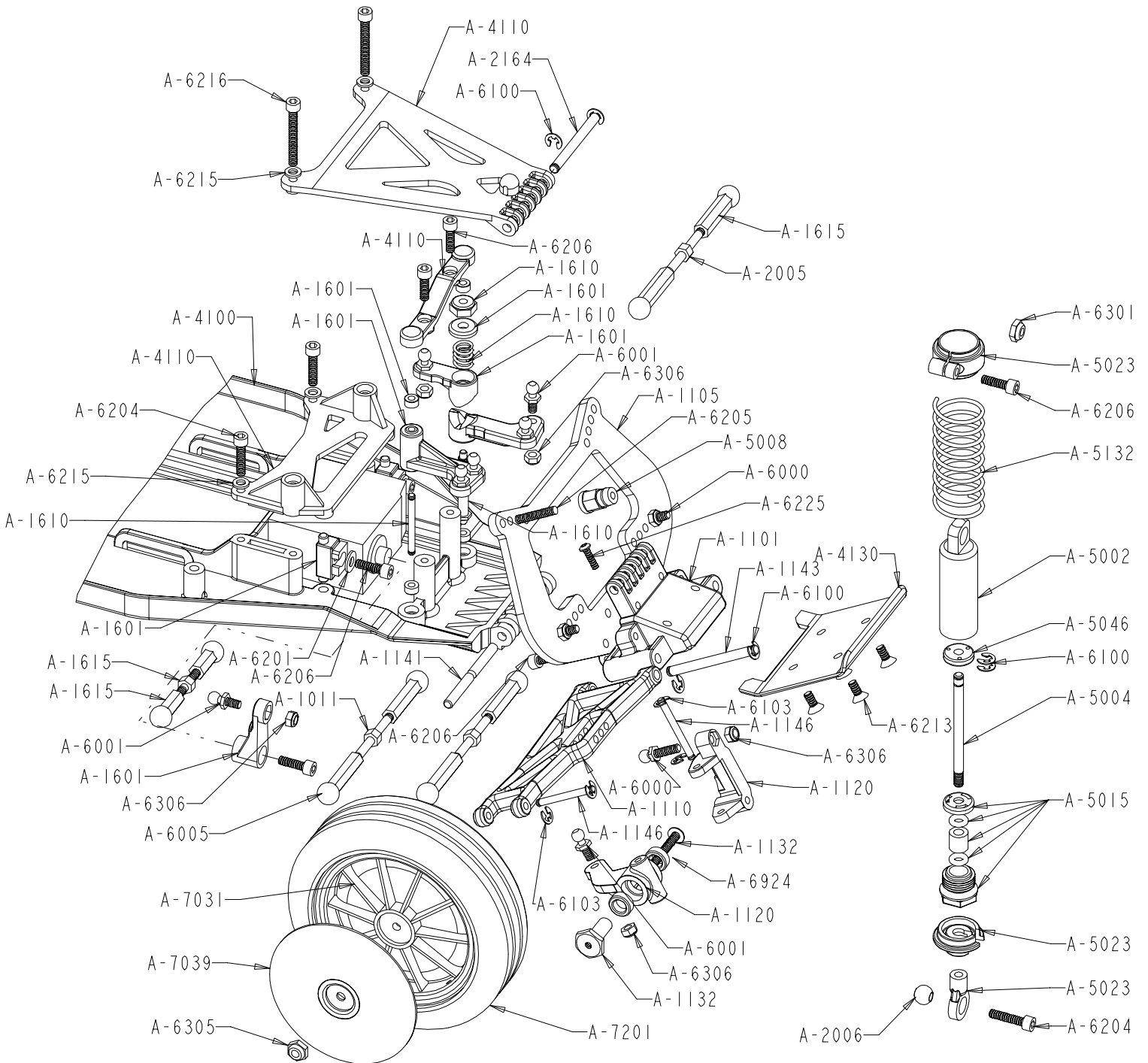
## CHOICE OF CHAMPIONS

A-0040	Double-X Kit w/Bushings, Motor, & Speed Control	1	\$239.95	A-3071	Differential Thrust Bearing Assy	1	6.75
A-0041	Double-X Kit w/Bushings Without Electrics	1	\$219.95	A-3072	Diff Tube	1	2.25
A-1009	Adjustable L/R Thread Rod (1.5")	2	3.50	A-3074	Diff Gear only 2.19:1	1	2.00
A-1011	Adjustable L/R Threaded Rod (1.875")	2	3.75	A-3075	Upper Gear, Etc 2.19:1	1	6.00
A-1101	Front Bulkhead	1	5.00	A-3078	Diff Screw, Hardware & Seal	7	3.50
A-1105	Front Shock Tower (XX)	1	6.00	A-3079	Idler Gear 2.19:1	2	3.50
A-1110	Front Suspension Arms (XX)	2	6.50	A-3095	XX Molded Outdrive Set (XX/XXT)	2	4.00
A-1120	Front Spindles & Carriers (XX)	4	6.00	A-3096	Universal Pivots for molded outdrive	2	4.50
A-1132	Front Stub Axles and Screws (XX Bushing)	2	4.50	A-3122	Slipper Gear Plate	1	6.00
A-1141	Pin Set for Front Bulkhead (upper & lower)	2	3.00	A-3123	Slipper Pad	1	3.00
A-1143	Inner Front Hinge pins (XX)	2	3.00	A-3124	Slipper Spring, Cup, Spacer & Washer	1	3.00
A-1146	Front Outer Hinge Pin & King Pin 3/32" (XX)	2	3.00	A-3125	9/16" x 1/4" Thrust Bearing Assy	1	2.50
A-1601	Steering/Servo Mount Assy. (Molded) (XX,XXT)	1	6.00	A-3132	Slipper Back Plate (XX,XXT)	1	6.00
A-1610	Steering Hardware Set (XX,XXT)	4	3.50	A-3904	84T Hydra-Drive / Slipper Gear	1	3.50
A-1615	Short Ball Cups & Threaded Rod (XX,XXT)	1	2.75	A-4002	Antenna Kit	1	2.25
A-2005	Adjustable L/R Threaded Rods w/ends (1.125")	2	4.50	A-4003	Antenna Caps	8	1.25
A-2006	Swivel Suspension Balls .250"	8	4.00	A-4004	Servo Tape	6	1.75
A-2012	Assembly Wrench	1	1.50	A-4010	Battery Strap Set	2	2.75
A-2101	Rear Bulkhead	1	5.00	A-4015	Foam Battery Block Set (XX,XXT)	2	2.50
A-2110	Rear Pivot Support #2	1	4.00	A-4100	Main Chassis w/Brace (XX)	1	24.95
A-2120	Rear Pivot Support #4	1	4.00	A-4110	Chassis Brace Set (XX,XXT)	1	6.00
A-2125	Rear Hub Set	2	5.00	A-4130	Front Bumper (XX,XXT)	1	3.00
A-2130	Rear Suspension Arms (XX)	2	6.50	A-5002	.6" Shock Body Anodized	1	6.00
A-2155	Rear Shock tower (XX)	1	6.00	A-5004	Shock Shaft .6"	1	3.00
A-2161	Inner Rear Hinge Pins	2	3.00	A-5008	Upper Shock Mount Bushing	4	2.00
A-2164	Outer Rear Hinge Pins	2	3.00	A-5015	Double O-Ring Shock Cartridge	1	2.00
A-3009	Diff Balls 3/32	12	1.25	A-5021	1.2" Shock Body Anodized	1	6.00
A-3013	Molded Universal Set (All except LXT & XXT)	2	5.50	A-5022	Shock Shaft 1.2"	1	3.00
A-3014	Universal Pivots	2	4.50	A-5023	Spring Clamps & Cups	2	2.50
A-3015	Rear Axle, Spacer & Pin	1	6.00	A-5132	2" Spring 3.5 Rate (Green)	2	2.50
A-3016	Rear Axle Spacers	2	1.25	A-5152	2.5" Spring 2.6 Rate (Red)	2	2.50
A-3045	Slipper Gear Cover Plug	4	1.50	A-5224	SILATECH Competition Shock Fluid 350 / 30 wt	1	3.50
A-3052	Trans w/Friction Slipper 2.19:1	1	120.00	A-6000	Studded Balls w/Rod Ends 4-40 X 3/8"	4	3.50
A-3058	Trans Case Set 2.19:1	2	6.00	A-6001	Studded Balls w/Rod Ends 4-40 X 3/16"	4	3.50
A-3060	Slipper Shaft, Spacer & Hardware	1	5.50	A-6003	Foam Things (Linkage Rings)	8	1.50
A-3061	Transmission Screw Set	4	2.00	A-6005	H.D. 30° Plastic Rod Ends	16	5.00
A-3063	Motor Plate	1	8.00	A-6100	E-Clips 1/8"	12	1.25
A-3064	Gear Cover & Plug	1	2.50	A-6102	C-Clips 3/16"	12	1.75
A-3065	Silicone Diff Compound	1	2.50	A-6103	E-Clips 3/32"	12	1.25
A-3069	Complete Diff Assembly (2.19 & 2.61:1)	1	44.95	A-6201	3mm x 8mm Socket Head w/Washers (Motor)	10	3.00
A-3070	Differential Drive Rings	2	2.00	A-6204	4-40 x 1/2" Socket Head	10	1.50



**The easy access modular rear end features wide-based, extra-long and rigid suspension arms, beefy hub carriers, and multi-adjustable bulkhead. Extra-stiff components provide critical suspension alignment with all toe-in in the hub carriers to maintain proper suspension geometry. It's never been easier to access components for quick and convenient adjustments.**

A-6205	4-40 x 3/4" Socket Head	10	1.50	A-6230	Shim Assortment - 3/16", 1/4", 1/2"	20	2.50
A-6206	4-40 x 3/8" Socket Head	10	1.50	A-6301	4-40 Nylon Locking Nuts	10	1.75
A-6210	4-40 x 3/8" Flat Head Socket	10	1.50	A-6303	10-32 Nylon Locking Nuts (4ea. Nylon & Steel)	8	1.50
A-6212	4-40 x 1/8" Button Head	4	1.25	A-6305	4-40 Locking Nuts Low Profile	10	3.50
A-6213	4-40 x 1/4" Flat Head Socket	6	1.25	A-6306	4-40 Aluminum Mini Nuts	10	3.50
A-6215	#4 Narrow Washers	10	1.25	A-6400	Pins, U-Joint	8	1.25
A-6220	4-40 x 1/2" Flat Head Socket	6	1.50	A-6401	Pins, Wheels & Gear	4	1.25
A-6223	4-40 x 1" Socket Head	6	2.00	A-6903	3/16" x 3/8" Bearings	2	5.50
A-6225	2-56 x 5/16" Button Head (Slipper, Wheel Disks)	10	2.00	A-6923	Bushings for XX Diff	4	1.75



**Exclusive Swing-Away front end** construction features extreme rigidity and exceptionally easy access to the fully proportional bellcrank steering with helical design servo saver. Computer optimized ackerman and bump-steer provide positive steering for consistent performance.

A-6924	Complete Bushing Set XX/XXT .....	1	7.50	A-8105	XX Wing .....	1	2.50
A-7031	XX Front Wheels w/discs (Yellow) .....	2	6.00	A-8106	XX Wing Wire .....	1	1.25
A-7039	XX Front Wheel discs .....	4	3.00	A-8200	Body Clips .....	12	1.25
A-7125	2.2 Rear Disc Wheels (Yellow) (Losi) .....	2	6.00	A-8314	XX Sticker Sheet (Kit) .....	1	3.00
A-7128	2.2 Rear Disc Wheel Caps (Losi) .....	4	3.00	A-9500	Complete Mechanical Speed Control .....	1	19.95
A-7201	Front RIBBED (HT) .....	2	10.00	A-9501	Wiper Arm w/Button for Mechanical Speed Control .....	1	2.00
A-7364	2.2 Rear IFMAR STUD (HT) .....	2	11.00	A-9502	Resistor for Mechanical Speed Control .....	1	9.95
A-8008	XX Body .....	1	16.00				
A-8102	Adjustable Wing Button Set .....	1	2.75				

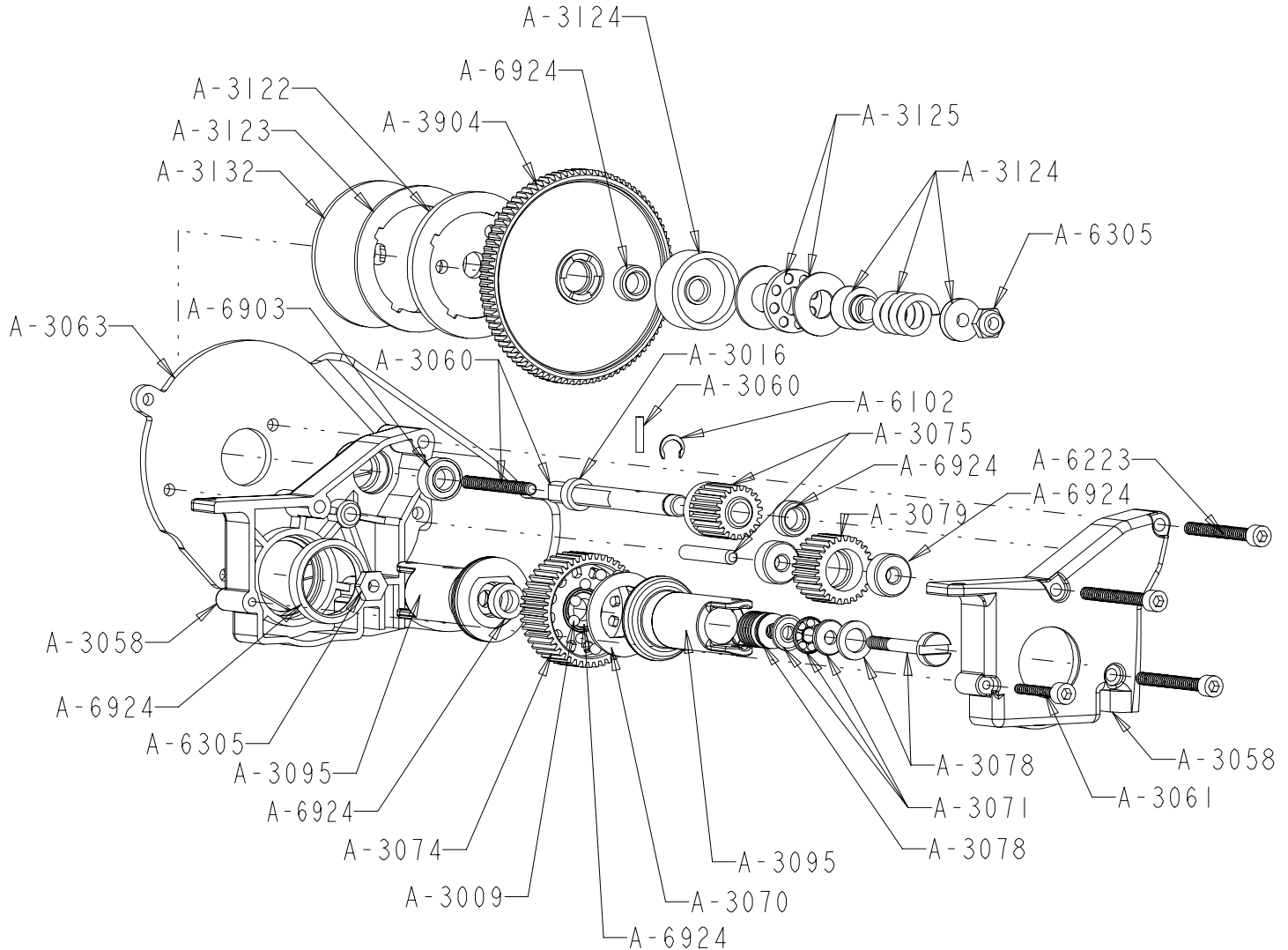
# TEAM LOSI

## Racing

13848 Magnolia Ave., Chino, CA 91710  
 Phone (909) 465-9400 • Fax (909) 590-1496 • www.teamlosi.com

# TEAM XX LOSI

Bushing kits



**The Double-X "Laydown" transmission** includes precision balls, precision-grooved thrust assembly, hardened and polished diff rings and high quality bushings with special, low friction lubrication. The low CG design and precise gear profiles provide quicker acceleration and handling. The friction slipper included is designed to accept the patented Hydra-Drive® for the ultimate in power handling and traction control.

### Upgrade Parts For Double-X Buggy (with Bushings)

A-1131	Front Stub Axles and Screws (XX)	2	5.00
A-3019	White Super-Slide Drive Shafts (All Except LXT/XXT)	2	5.00
A-3073	Outdrive Cup	1	7.00
A-3081	Buggy Dog Bone / DriveShaft w/Yoke (XX)	1	7.50
A-3101	Hydra-Drive Unit Only	1	29.95
A-5029	.6" Shock Body Hard Anodized	1	8.00
A-5031	1.2" Shock Body Hard Anodized	1	8.00
A-6905	3/16" x 5/16" Bearings (Slipper)	2	7.50
A-6907	5mm x 8mm Bearings (XX Trans, Retrofit)	2	6.50
A-6908	1/2" x 3/4" Bearings w/Teflon Seal (XX Trans)	2	13.50
A-6909	1/8" x 3/8" Bearings (XX Trans)	2	6.00
A-6911	3/16" x 5/16" Teflon Seale Bearings	2	8.50
A-6925	Complete Bearing Set XX (Bushing Kit)	1	57.95
A-6927	Bearing Set for XX Trans	1	28.00
TL-4016	3/32" Carbide Diff Balls	12	10.95