

Effective: 10/01/94

PRICE LIST REFERENCE GUIDE

©1994 TEAM LOSI, INC.

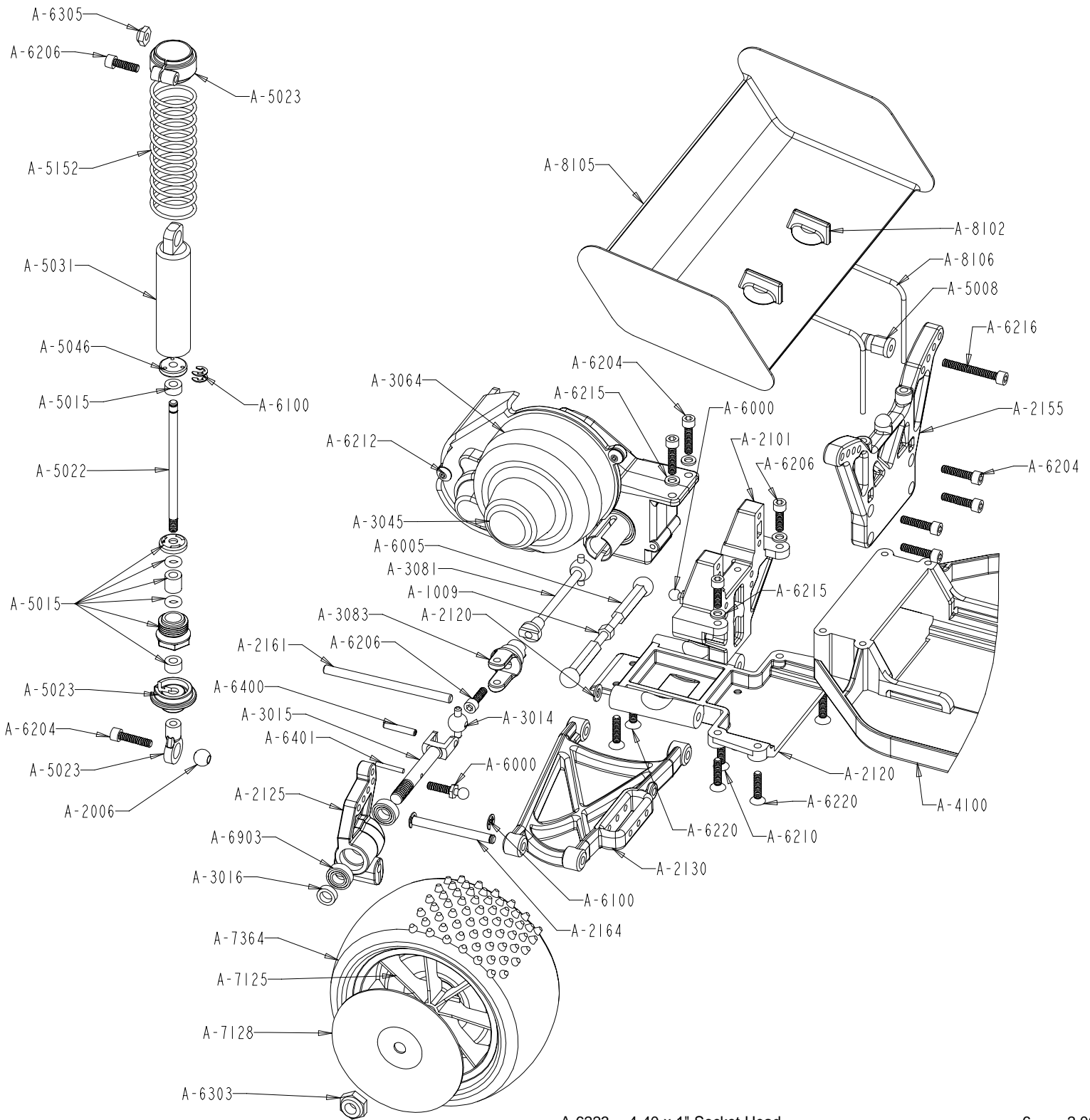
NOT RESPONSIBLE FOR TYPOGRAPHICAL ERRORS.

ALL PRICES SUBJECT TO CHANGE WITHOUT NOTICE.

TEAM LOSI PERFORMANCE

CHOICE OF CHAMPIONS

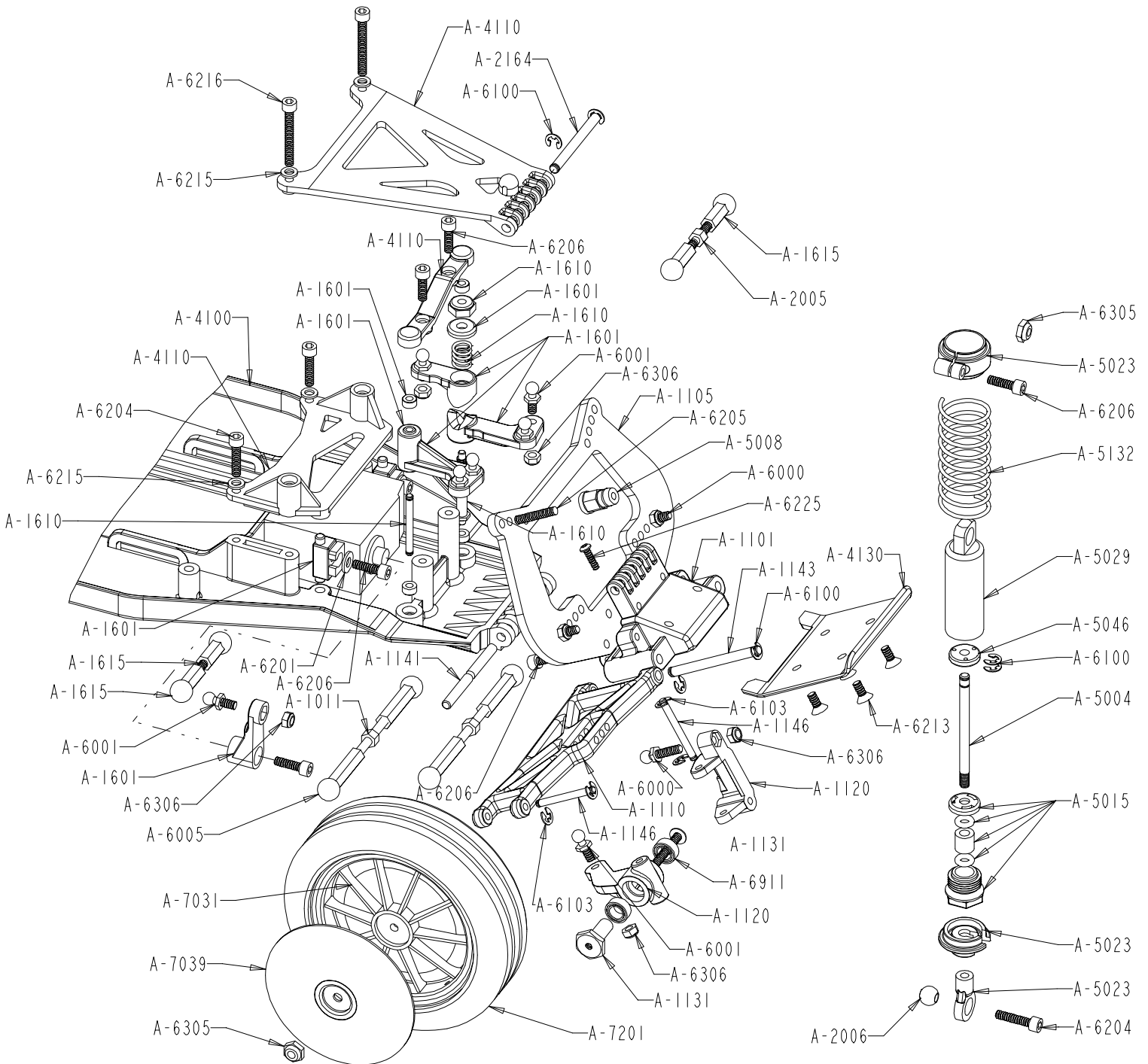
A-0025	Double-X Kit w/Bearings, Slipper, Hydra-Drive	1	\$339.95	A-3122	Hydra-Drive Friction Slipper Gear Plate	1	6.00
A-1009	Adjustable L/R Thread Rod (1.5")	2	3.50	A-3123	Hydra-Drive Friction Slipper Pad	1	3.00
A-1011	Adjustable L/R Threaded Rod (1.875")	2	3.75	A-3124	Hydra-Drive Slipper Spring, Cup, Spacer & Washer	1	3.00
A-1101	Front Bulkhead	1	5.00	A-3125	9/16" x 1/4" Thrust Bearing Assy	1	2.50
A-1105	Front Shock Tower (XX)	1	6.00	A-3126	Hydra-Drive Fluid "Standard"	1	3.00
A-1110	Front Suspension Arms (XX)	2	6.50	A-3130	Hydra-Drive Rebuild Kit	1	9.95
A-1120	Front Spindles & Carriers (XX)	4	6.00	A-3132	Slipper Back Plate (XX,XXT)	1	6.00
A-1131	Front Stub Axles and Screws (XX)	2	5.00	A-3908	88T Hydra-Drive / Slipper Gear	1	3.50
A-1141	Pin Set for Front Bulkhead (upper & lower)	2	3.00	A-4002	Antenna Kit	1	2.25
A-1143	Inner Front Hinge pins (XX)	2	3.00	A-4003	Antenna Caps	8	1.25
A-1146	Front Outer & King Pin 3/32" (XX)	2	3.00	A-4004	Servo Tape	6	1.75
A-1601	Steering/Servo Mount Assy. (Molded) (XX,XXT)	1	6.00	A-4010	Battery Strap Set	2	2.75
A-1610	Steering Hardware Set (XX,XXT)	4	3.50	A-4015	Foam Battery Block Set (XX,XXT)	2	2.50
A-1615	Short Ball Cups & Threaded Rod (XX,XXT)	1	2.75	A-4100	Main Chassis w/Brace (XX)	1	24.95
A-2005	Adjustable L/R Threaded Rods w/ends (1.125")	2	4.50	A-4110	Chassis Brace Set (XX,XXT)	1	6.00
A-2006	Swivel Suspension Balls .250"	8	4.00	A-4130	Front Bumper (XX,XXT)	1	3.00
A-2012	Assembly Wrench	1	1.50	A-5004	Shock Shaft .6"	1	3.00
A-2101	Rear Bulkhead	1	5.00	A-5008	Upper Shock Mount Bushing	4	2.00
A-2110	Rear Pivot Support #2	1	4.00	A-5015	Double O-Ring Shock Cartridge	1	2.00
A-2120	Rear Pivot Support #4	1	4.00	A-5022	Shock Shaft 1.2"	1	3.00
A-2125	Rear Hub Set	2	5.00	A-5023	Spring Clamps & Cups	2	2.50
A-2130	Rear Suspension Arms (XX)	2	6.50	A-5029	.6" Shock Body Hard Anodized	1	8.00
A-2155	Rear Shock tower (XX)	1	6.00	A-5031	1.2" Shock Body Hard Anodized	1	8.00
A-2161	Inner Rear Hinge Pins	2	3.00	A-5043	Teflon Shock Pistons #60 (Natural)	4	3.00
A-2164	Outer Rear Hinge Pins	2	3.00	A-5046	Teflon Shock Pistons #56 (Red)	4	3.00
A-3014	Universal Pivots	2	4.50	A-5047	Teflon Shock Pistons #55 (Orange)	4	3.00
A-3015	Rear Axle, Spacer & Pin	1	6.00	A-5048	Teflon Shock Pistons #54 (Blue)	4	3.00
A-3016	Rear Axle Spacers	2	1.25	A-5060	.6" Titanium Nitrided Shock Shaft	1	7.00
A-3045	Slipper Gear Cover Plug	4	1.50	A-5061	.9" Titanium Nitrided Shock Shaft	1	7.00
A-3052	Trans w/Friction Slipper 2.19:1	1	120.00	A-5132	2" Spring 3.5 Rate (Green)	2	2.50
A-3058	Trans Case Set 2.19:1	2	6.00	A-5152	2.5" Spring 2.6 Rate (Red)	2	2.50
A-3060	Slipper Shaft, Spacer & Hardware	1	5.50	A-5224	SILATECH Competition Shock Fluid 350 / 30 wt	1	3.50
A-3061	Transmission Screw Set	4	2.00	A-5226	SILATECH Competition Shock Fluid 500 / 40 wt	1	3.50
A-3063	Motor Plate	1	8.00	A-6000	Studded Balls w/Rod Ends 4-40 X 3/8"	4	3.50
A-3064	Gear Cover & Plug	1	2.50	A-6001	Studded Balls w/Rod Ends 4-40 X 3/16"	4	3.50
A-3069	Complete Diff Assembly (2.19 & 2.61:1)	1	44.95	A-6003	Foam Things (Linkage Rings)	8	1.50
A-3070	Differential Drive Rings	2	2.00	A-6005	H.D. 30° Plastic Rod Ends	16	5.00
A-3071	Differential Thrust Bearing Assy	1	6.75	A-6100	E-Clips 1/8"	12	1.25
A-3072	Diff Tube	1	2.25	A-6102	C-Clips 3/16"	12	1.75
A-3073	Outdrive Cup	1	7.00	A-6103	E-Clips 3/32"	12	1.25
A-3074	Diff Gear only 2.19:1	1	2.00	A-6201	3mm x 8mm Socket Head w/Washers (Motor)	10	3.00
A-3075	Upper Gear, Etc 2.19:1	1	6.00	A-6204	4-40 x 1/2" Socket Head	10	1.50
A-3076	Diff Gear only 2.61:1	1	2.00	A-6205	4-40 x 3/4" Socket Head	10	1.50
A-3077	Upper Gear, Etc 2.61:1	1	6.00	A-6206	4-40 x 3/8" Socket Head	10	1.50
A-3078	Diff Screw,Hardware & Seal	7	3.50	A-6210	4-40 x 3/8" Flat Head Socket	10	1.50
A-3079	Idler Gear 2.19:1	2	3.50	A-6212	4-40 x 1/8" Button Head	4	1.25
A-3081	Buggy Dog Bones/Drive Shaft w/Yoke	1	7.50	A-6213	4-40 x 1/4" Flat Head Socket	6	1.25
A-3083	Yoke & Screw for Dogbone/Drive Shaft	2	3.50	A-6215	#4 Narrow Washers	10	1.25
A-3119	Hydra-Drive Housing Set	1	14.95	A-6220	4-40 x 1/2" Flat Head Socket	6	1.50



The easy access modular rear end

Features wide-based, extra-long and rigid suspension arms, beefy hub carriers, and multi-adjustable bulkhead. Extra-stiff components provide critical suspension alignment with all toe-in in the hub carriers to maintain proper suspension geometry. It's never been easier to access components for quick and convenient adjustments.

A-6223	4-40 x 1" Socket Head	6	2.00
A-6224	#4 Nylon Filler Screws & Washers for Hydra-Drive	6	2.00
A-6225	2-56 x 5/16" Button Head (Slipper, Wheel Disks)	10	2.00
A-6230	Shim Assortment - 3/16", 1/4", 1/2"	20	2.50
A-6303	10-32 Nylon Locking Nuts (4ea. Nylon & Steel)	8	1.50
A-6305	4-40 Locking Nuts Low Profile	10	3.50
A-6306	4-40 Aluminum Mini Nuts	10	3.50
A-6400	Pins, U-Joint	8	1.25
A-6401	Pins, Wheels & Gear	4	1.25
A-6903	3/16" x 3/8" Bearings	2	5.50
A-6905	3/16" x 5/16" Bearings (Slipper)	2	7.50
A-6907	5mm x 8mm Bearings (XX Trans)	2	6.50
A-6908	1/2" x 3/4" Bearings w/Teflon Seal (XX Trans)	2	13.50
A-6909	1/8" x 3/8" Bearings (XX Trans)	2	6.00
A-6911	3/16" x 5/16" Teflon Sealed Bearings	2	8.50
A-6912	3/32" x 3/16" Bearing for Steerings (XX,XXT)	4	19.95
A-6918	3/16" x 3/8" Teflon Seals & Clips	16	5.00
A-7030	XX Front Wheel w/discs (Natural)	2	6.00



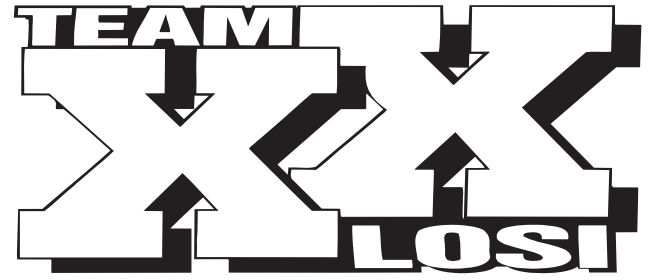
A-7031	XX Front Wheels w/discs (Yellow)	2	6.00
A-7039	XX Front Wheel discs	4	3.00
A-7124	2.2 Rear Disc Wheels (Natural) (Losi)	2	6.00
A-7125	2.2 Rear Disc Wheels (Yellow) (Losi)	2	6.00
A-7128	2.2 Rear Disc Wheel Caps (Losi)	4	3.00
A-7201	Front RIBBED (HT)	2	10.00
A-7364	2.2 Rear IFMAR STUD (HT)	2	11.00
A-8008	XX Body	1	16.00
A-8102	Adjustable Wing Button Set	1	2.75
A-8105	XX Wing	1	2.50
A-8106	XX Wing Wire	1	1.25
A-8200	Body Clips	12	1.25
A-8311	Machine Cut XX Logo Sticker Set (Pink)	1	5.95
A-8312	Machine Cut XX Logo Sticker Set (Yellow)	1	5.95
A-8314	XX Sticker Sheet (Kit)	1	3.00
A-8320	Machine Cut 24" TEAM LOSI LOGO (White)	1	7.95
J-120	Jammin Special Diff Lube	1	2.50
TL-4016	3/32" Carbide Diff Balls	12	10.95

Exclusive Swing-Away front end

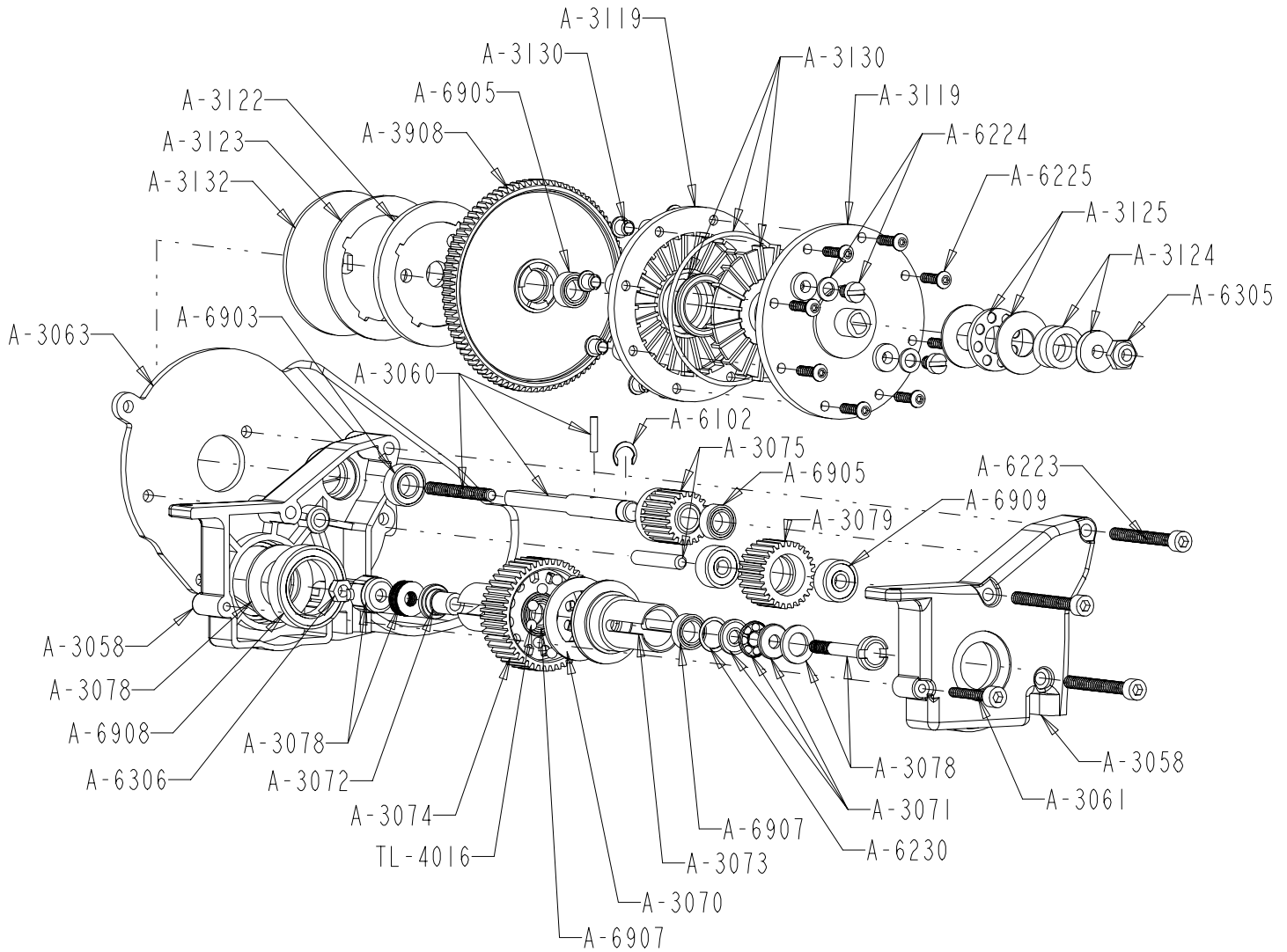
Construction features extreme rigidity and exceptionally easy access to the fully proportional bellcrank steering with helical design servo saver. Computer optimized ackerman and bump-steer provide positive steering for consistent performance.

TEAM LOSI

Racing



13848 Magnolia Ave., Chino, CA 91710
 Phone (909) 465-9400 Fax (909) 590-1496



The Double-XT "Laydown" transmission

includes carbide balls, precision-grooved thrust assembly, hardened and polished diff rings and Teflon sealed outdrive bearings. The low CG design and precise gear profiles provide quicker acceleration and handling. The patented Hydra-Drive® is included for the ultimate in power handling and traction control.

Optional Parts For Double-X Buggy

A-4140	Sway Bar Kit (XX,XXT)	4	9.95
A-9701	Graphite/Composite Front Arms (XX)	2	10.95
A-9705	25° Front Castor Block/Carriers (XX)	2	9.95
A-9801	Graphite/Composite Rear Arms (XX)	2	10.95
A-9805	2.5° Rear Hub Carrier Set (XX,XXT)	2	6.50
A-9813	Graphite/Composite Rear Shock Tower (XX)	1	9.95
A-9901	Graphite/Composite Short Chassis w/Braces	1	49.95
A-9902	Graphite/Composite Standard Chassis w/Braces	1	49.95
A-9920	Machined Lite Weight / Anodized Motor Plate	1	11.95
A-9924	Buggy Aluminum Dog Bone/Drive Shaft w/Yoke	1	9.95
A-9930	Alum Gear/Slipper Shaft 2.19:1 Ratio Hard Coated	1	11.95