

TEAM LOSI

XX CR

Kinwald Edition



PRICE LIST REFERENCE GUIDE

Effective: 11/10/97

©1997 TEAM LOSI, INC.

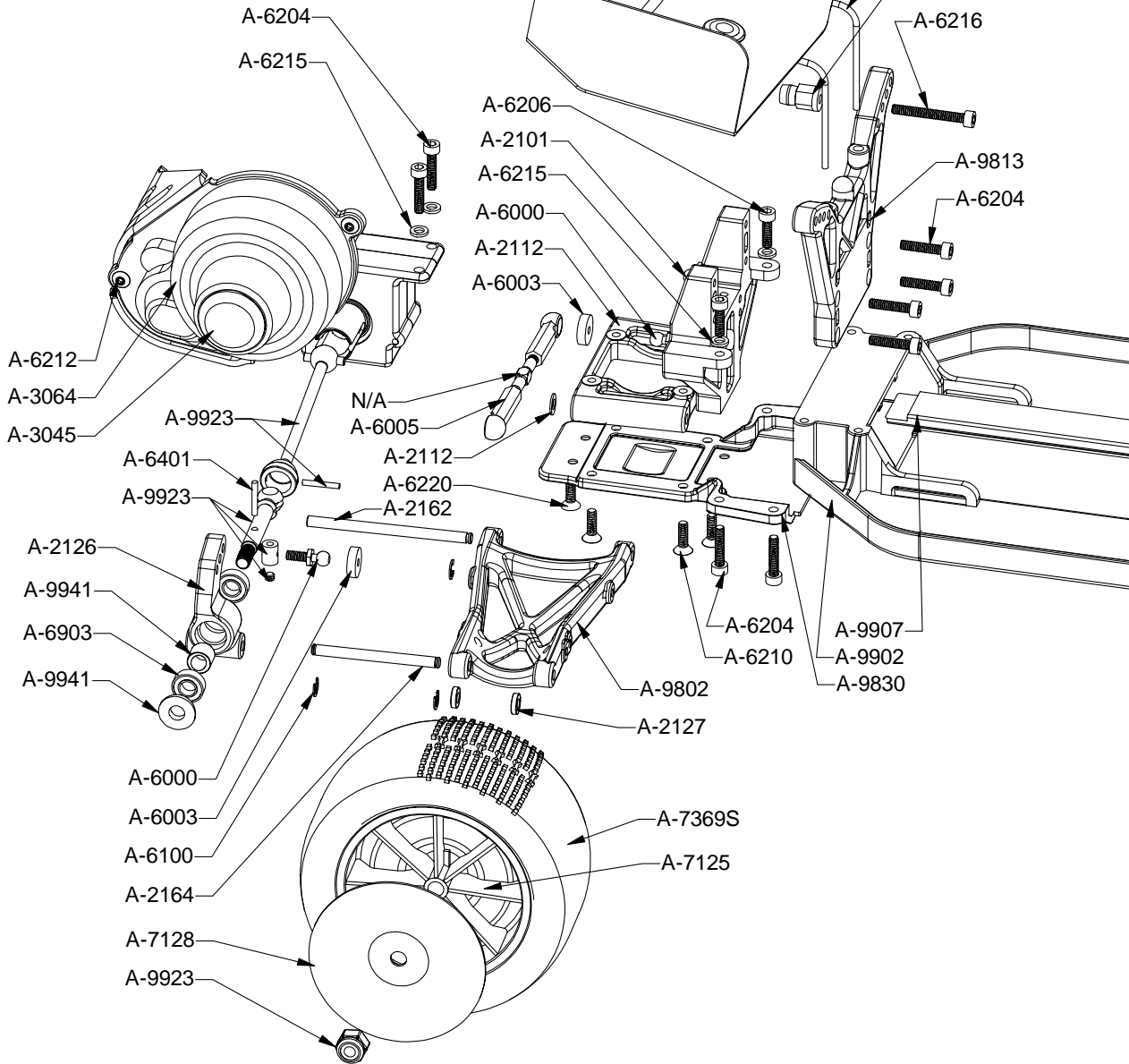
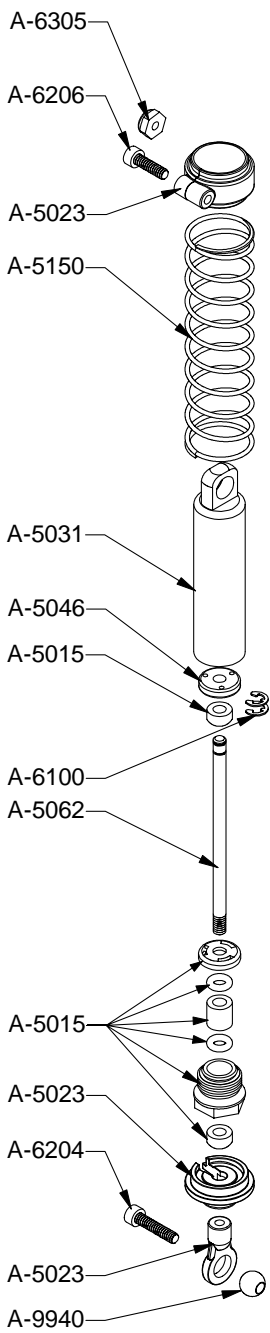
NOT RESPONSIBLE FOR TYPOGRAPHICAL ERRORS

ALL PRICES SUBJECT TO CHANGE WITHOUT NOTICE

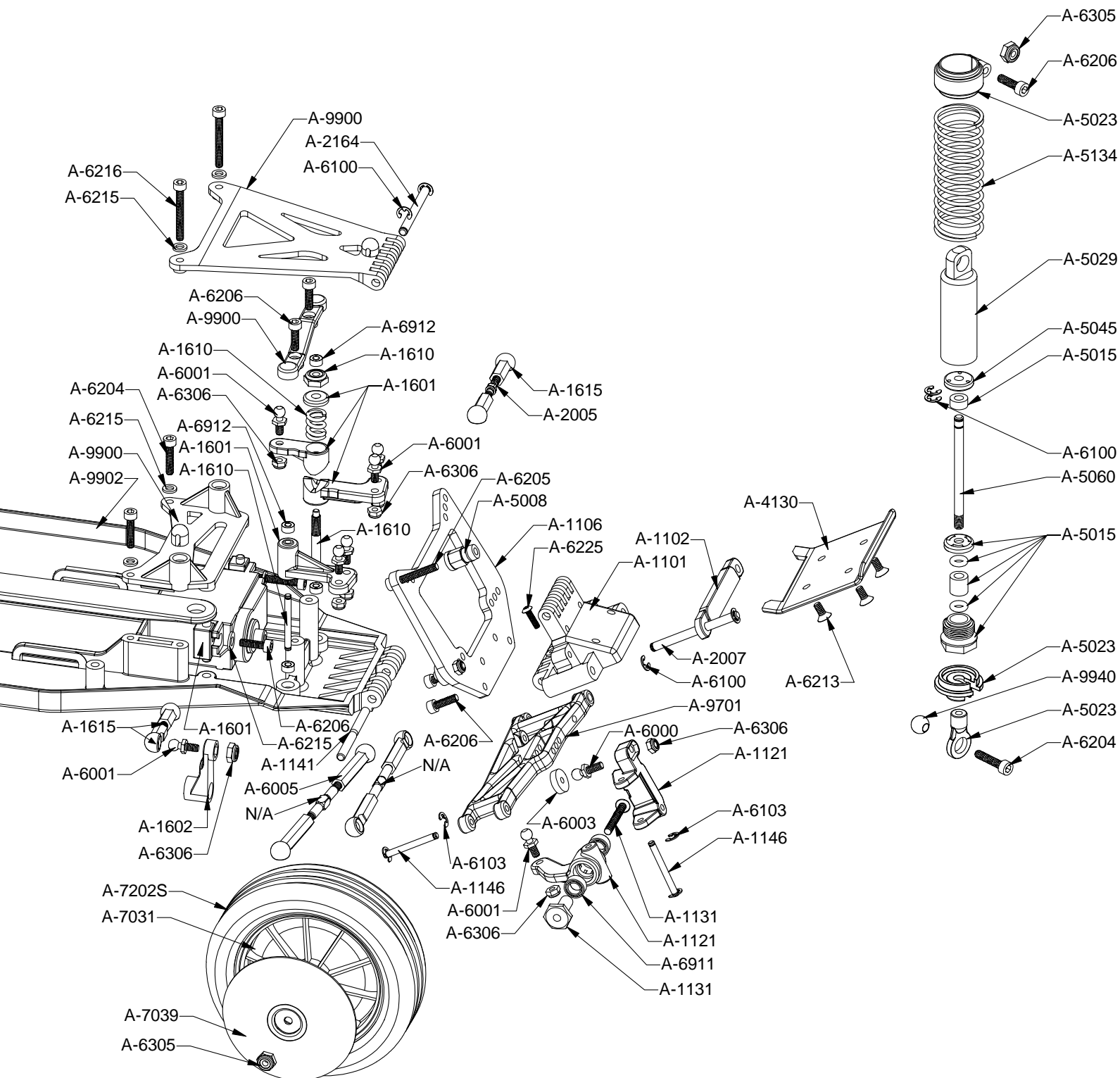
TEAM LOSI PERFORMANCE

CHOICE OF CHAMPIONS

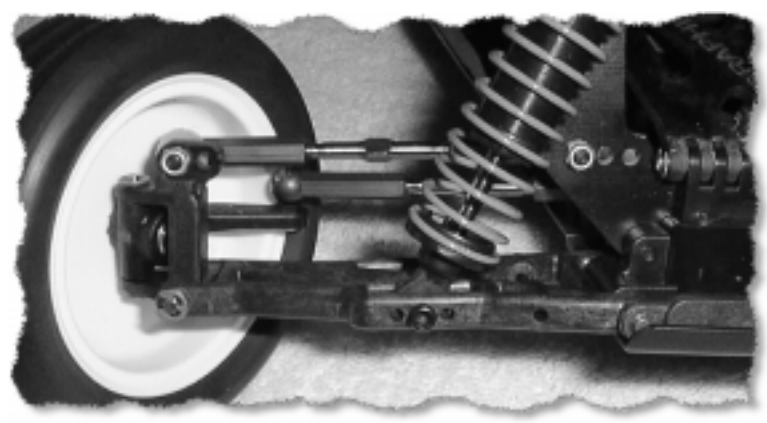
A-0027	Double-X 'CR' Kinwald Edition Kit	\$399.95	A-4002	Antenna Kit	2.25
A-1101	Front Bulkhead	5.00	A-4003	Antenna Caps	1.25
A-1102	XXT, XX 'CR' Front Inner Hinge Pin/Bulkhead Brace ..	2.00	A-4004	Servo Tape	1.75
A-1106	Kinwald Edition Front Shock Tower	6.50	A-4015	Foam Battery Block Set (XX, XXT)	2.50
A-1121	25° Front Spindles and Carriers	9.00	A-4110	Chassis Brace Set (XX, XX-T)	6.00
A-1131	'XX' Front Stub Axles and Screws	5.00	A-4113	Battery Hold-Down Strap Std. (XX)	3.00
A-1141	Pin Set for Front Bulkhead (Upper/Lower)	3.00	A-4130	Front Bumper (XX, XX-T)	3.00
A-1146	Front Outer & King Pin 3/32" (XX)	3.00	A-5004	Shock Shaft Front (Short) .6"	3.00
A-1601	Steering/Servo Mount Assembly (Molded) (XX, XX-T) ..	6.00	A-5008	Upper Shock Mount Bushings	2.00
A-1615	Short Ball Cups & Threaded Rods	2.75	A-5015	Double O-Ring Shock Cartridge	2.00
A-2005	Rear Camber Link w/Ends 1-1/8"	5.00	A-5022	X-Long Shock Shaft 1.2"	3.00
A-2006	Swivel Suspension Balls .250"	4.00	A-5023	Spring Clamps & Cups	2.50
A-2007	Hinge Pin - Front Inner XXT, XX	3.00	A-5029	.6" Shock Body, Hard Anodized/Coated	8.00
A-2101	Rear Bulkhead	5.00	A-5031	1.2" Shock Body, Hard Anodized/Coated	8.00
A-2107	'CR' Rear Pivot Plate	4.00	A-5045	Teflon Shock Pistons #57, Black	3.00
A-2112	'CR' Rear Pivot Block - 0°	3.50	A-5046	Teflon Shock Pistons #56, Red	3.00
A-2126	'CR' Rear Hub Set	6.00	A-5134	2" Spring 3.8 Rate (Blue)	2.50
A-2131	'CR' Rear Suspension Arms (XX)	7.00	A-5150	2.5" Spring 2.3 Rate (Pink)	2.50
A-2162	'CR' Inner Rear Hinge Pins	3.00	A-5224	SILATECH Competition Shock Fluid 350/30 wt	3.50
A-2164	1/8" Upper Bulkhead /Outer Rear Pin	3.00	A-6000	Ball Studs w/Rod Ends 4-40 x 3/8"	3.50
A-3045	Slipper Gear Cover Plug (4)	1.50	A-6001	Ball Studs w/Rod Ends 4-40 x 3/16"	3.50
A-3058	Transmission Case Set (2.19:1)	6.00	A-6003	Foam Things (Linkage Rings)	1.50
A-3061	Transmission Screw Set	2.00	A-6005	H.D. 30° Plastic Rod Ends	5.00
A-3063	Motor Plate	8.00	A-6006	Ball Studs w/Rod Ends 4-40 x 1/4"	3.50
A-3064	'XX' Gear Cover & Plug	2.50	A-6100	1/8" E-Clips	1.75
A-3065	Silicone Differential Compound	2.50	A-6103	E-Clips 3/32"	1.25
A-3066	Teflon™ Assembly Grease	2.50	A-6201	3mm x 8mm Socket Head w/Washers	3.00
A-3070	Differential Drive Rings	2.00	A-6204	4-40 x 1/2" Cap-Head Screws	1.50
A-3072	Differential Tube	2.25	A-6205	4-40 x 3/4" Cap-Head Screws	1.50
A-3073	Outdrive Cup/Diff Half	7.00	A-6206	4-40 x 3/8" Cap-Head Screws	1.50
A-3074	Differential Gear Only (2.19:1)	2.00	A-6210	4-40 x 3/8" Flat-Head Screws	1.50
A-3075	Upper Gear and Hardware (2.19:1)	6.00	A-6212	4-40 x 1/8" Button-Head Screws	1.25
A-3078	Differential Screw, Hardware, and Seal	3.50	A-6213	4-40 x 1/4" Flat-Head Screw	1.25
A-3079	Idle Gear 2.19:1	3.50	A-6215	#4 Narrow Washers (Gold)	1.25
A-3098	Differential Thrust Bearing w/Carbide Balls (Molded)	5.00	A-6216	4-40 x 7/8" Cap-Head Screws	1.50
A-3123	Slipper Pad	3.00	A-6220	4-40 x 1/2" Flat-Head Screws	1.50
A-3124	Slipper Spring, Cup, Spacer, Bushing, and Washer	3.00	A-6223	4-40 x 1" Cap-Head Screws	2.00
A-3132	Slipper Backing Plate (XX, XX-T)	6.00	A-6225	2-56 x 5/16" Button-Head Screws	2.00
A-3930	84T 48-Pitch Spur Gear (XX-4)	3.50	A-6227	4-40 x 1/8" Hardened Setscrews	1.80



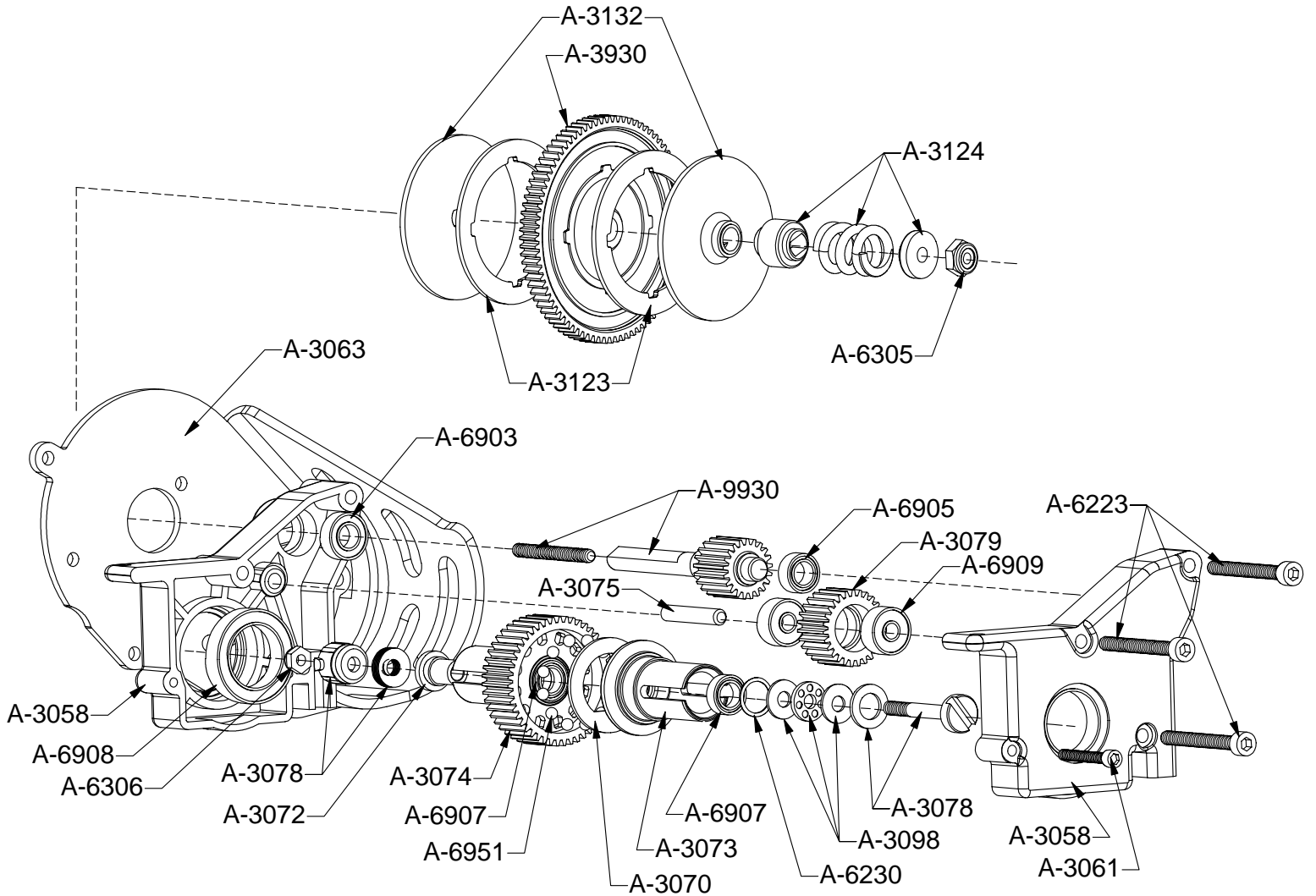
A-6228	5-40 x 1/8" Hardened Setscrews	1.80
A-6230	Shim Assortment - 3/16", 1/4", 1/2"	2.50
A-6305	4-40 Aluminum Lock-Nuts, Low Profile	3.50
A-6306	4-40 Aluminum Mini Nuts	3.50
A-6350	#4 and 1/8" Hardened Washers	2.50
A-6401	Pins, Wheel & Gear	2.00
A-6903	3/16" x 3/8" Ball Bearing	5.50
A-6907	5mm x 8mm Ball Bearings	6.50
A-6908	1/2" x 3/4" Ball Bearings w/Teflon Seal	13.50
A-6909	1/8" x 3/8" Ball Bearings	6.00
A-6911	3/16" x 5/16" Teflon Sealed Bearings	8.50
A-6912	3/32" x 3/16" Bearings	19.95
A-6951	3/32" Carbide Diff Balls	10.95



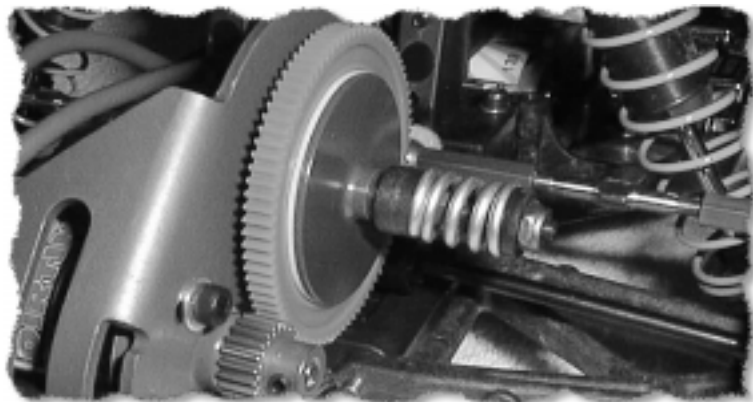
A-7031	'XX' Front Wheels w/Disks - Neon Yellow	6.00
A-7039	'XX' Front Wheel Disks	3.00
A-7125	2.2" Rear Disk Wheels - Neon Yellow	6.00
A-7128	2.2" Rear Wheel Disks	3.00
A-7202S	Front WIDE BODY Rib (Silver) w/Foam Liners	11.00
A-7299	Buggy Front Foam Liners	1.50
A-7369S	2.2 Rear "X-2000" (Silver) w/Foam Liners	12.00
A-7399	Buggy Rear Foam Liners	1.50
A-8042	X-Celerator Body w/Masks	16.00
A-8106	XX Wing Wire	1.25
A-8107	Wide 'V' Wing	2.50
A-8120	Machined Aluminum Wing Buttons	5.00
A-8200	Body Clips	1.25



13848 Magnolia Ave., Chino, CA 91710, 909.465.9400
 fax: 909.590.1496 / www.teamlosi.com / feedback@teamlosi.com



**NOTE: The blue motor plate, aluminum nuts, and rear springs that are included in the Kinwald Edition 'CR' are only available in the kit. The blue-colored items are not available separately from Team Losi.*



A-8340	XX 'CR' Kinwald Edition Sticker Sheet	2.50
A-9701	Graphite/Composite Front Arms (XX)	10.95
A-9707	Kingpin Ballstud <i>Kinwald Edition</i> (XX)	8.50
A-9813	Graphite/Composite Rear Shock Tower (XX)	9.95
A-9900	Graphite/Composite Chassis Brace Set	11.00
A-9902	Graphite/Composite Chassis w/braces	49.95
A-9923	MIP CVD Driveshafts w/Blue Nuts (<i>Kinwald Edition</i>) ..	30.00
A-9930	Aluminum Gear/Slipper Shaft 2.19:1 Ratio	11.95
A-9941	Bearing Spacer/Wheel Washer Set	9.95
N/A	Lunsford Racing Titanium Turnbuckle 1.625"N/A
N/A	Lunsford Racing Titanium Turnbuckle 1.75"N/A
N/A	Lunsford Racing Titanium Turnbuckle 1.785"N/A